

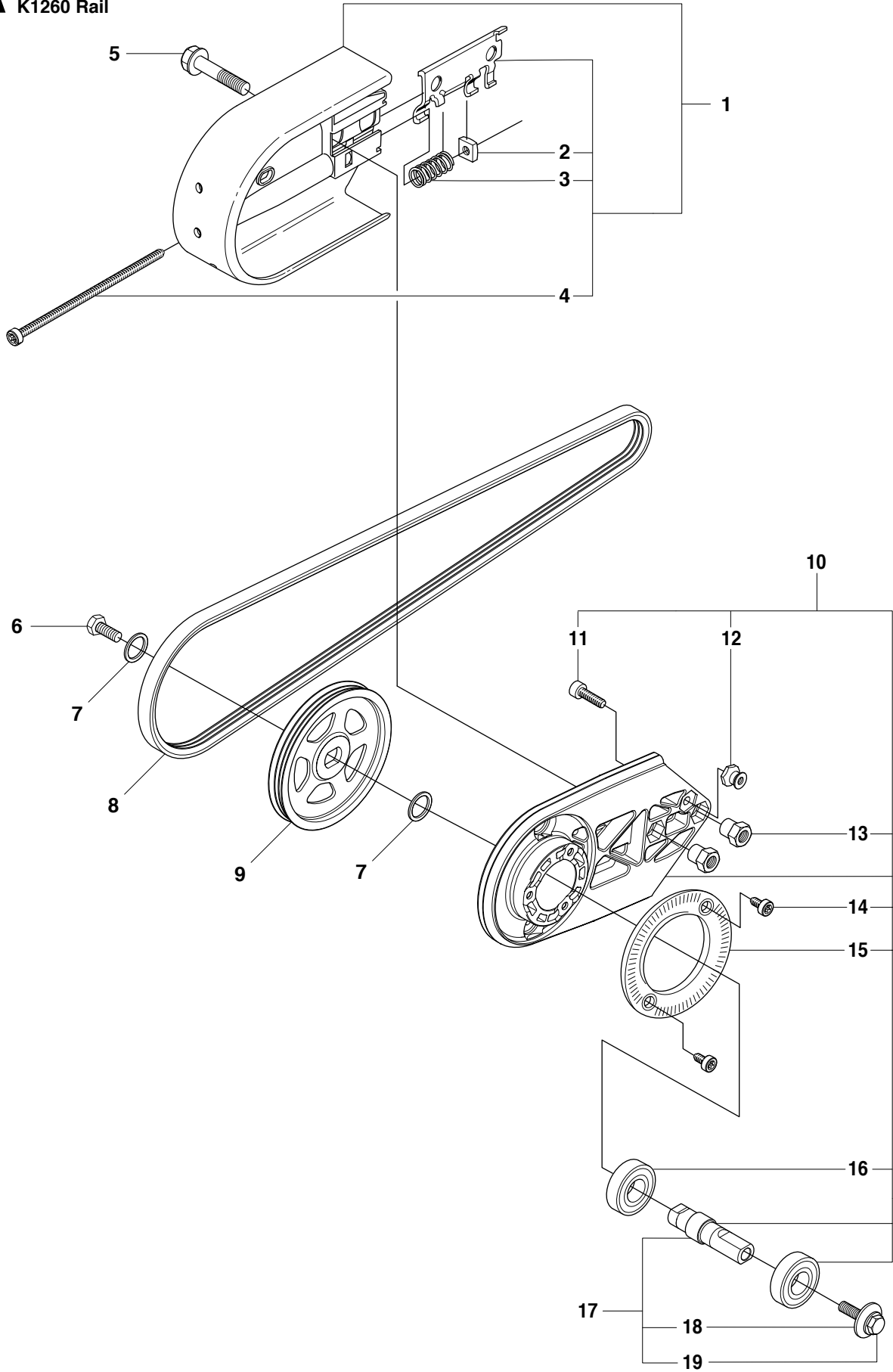
K1260
K1260 RAIL

Reservdelar
Spare parts
Ersatzteile
Pieces de rechange
Piezas de repuesto
Ricambi
Peças sobresselente

No.	Pos.	Description	No.	Pos.	Description
506 27 92-06	A	BELT GUARD	503 23 51-09	EK	SPARK PLUG
501 26 97-04	D	VIB.INSULATOR	503 25 00-02	DF	BALL BEARING
501 26 97-04	G	ANTIVIBRATION ELEMENT	503 25 21-01	AR	BALL BEARING
501 27 08-01	D	GUIDE BUSHING	503 25 38-01	C	NEEDLE BEARING
501 35 43-01	R	CLIP	503 26 02-05	DEMP	SEALING RING
501 46 75-01	N	GASKET-METERING DIAP	503 26 60-03	GQ	COUPLER
501 46 84-01	N	SPRING-CHOKE FRICT.	503 26 60-04	GQ	COUPLER
501 46 85-01	N	BALL-CHOKE FRICTION	503 28 12-70	MN	CARBURETTOR
501 48 54-02	K	SPARK PLUG CAP	503 28 90-26	E	PISTON RING
501 63 48-01	K	SPRING	503 52 58-01	N	VALVE CHOKE
501 66 61-01	N	SCREEN-INLET	503 52 59-01	N	SPRING THROTT RETURN
501 67 32-03	K	PAWL	503 52 60-01	N	PIN THROTTLE STOP
501 69 28-01	N	COVER-METERING DIAPH	503 56 34-01	N	VALVE INLET NEEDLE
501 76 83-04	H	FUEL HOSE	503 56 45-01	N	SEAL-THROTTLE SHAFT
501 81 47-01	H	ANTIVIBRATIONS ELEME	503 57 42-01	N	PLUG-WELCH
501 81 57-01	D	BAR BOLT	503 57 76-02	H	FUEL HOSE
501 83 98-03	K	CABLE	503 57 89-01	H	HOLDER
501 89 41-03	E	PISTON CPL	503 59 55-01	N	O-RING
501 89 59-02	J	AIR CONDUCTOR	503 59 56-01	N	LEVER THROTTLE
501 89 59-03	J	AIR CONDUCTOR	503 59 57-01	N	LEVER THROTTLE INNER
501 89 67-01	J	STARTER PULLEY	503 59 58-01	N	COVER-PUMP
502 10 31-01	N	BUSHING-THROTT.SPR.	503 59 59-01	N	SHAFT ASS'Y THROTTLE
502 85 08-01	E	MUFFLER SUPPORT	503 59 65-01	N	SCREW
503 11 72-01	N	GASKET-PUMP	503 59 72-01	N	WASHER
503 11 73-01	N	DIAPHRAGM-PUMP	503 59 74-02	N	GASKET KIT
503 11 75-01	N	SCREW-PUMP COVER	503 59 84-01	N	FITTING FUEL INLET
503 12 79-01	J	STARTER HANDLE	503 63 24-01	N	VALVE THROTTLE
503 13 13-05	DEMP	GASKET MUFFLER	503 63 28-01	N	DIAPHRAGM ASSY METER
503 13 16-01	H	THROTTLE LOCKOUT	503 63 29-01	N	SCREW IDLE SPEED
503 13 18-01	H	SPRING	503 63 31-01	N	SPRING
503 13 20-01	D	GROMMET	503 63 32-01	N	NEEDLE IDLE SPEED
503 13 25-02	H	AV-ELEMENT	503 66 56-01	E	DECOMPRESSION VALVE
503 13 26-02	H	AV-ELEMENT	503 74 36-01	J	DISC
503 13 27-02	H	AV-ELEMENT	503 97 66-01	N	NOZZLE ASSY
503 13 29-01	EF	NEEDLE HOLDER	504 35 72-01	H	SINTER PLUG
503 13 36-01	H	THROTTLE LEVER	504 63 42-01	Q	NIPPLE
503 13 45-01	DEMP	CRANKCASE GASKET	504 63 44-01	Q	HOUSING
503 13 46-01	DEMP	GASKET	504 63 45-01	Q	HOUSING
503 13 50-01	J	RECOIL SPRING ASSY	504 63 46-01	Q	SCREW
503 14 08-01	H	BUSHING	504 90 94-65	M	SCREW
503 14 21-06	H	TANK UNIT ASSY	505 09 54-01	Q	HOSE KIT
503 14 23-01	H	THROTTLE CATCH	505 09 55-01	GQ	HOSE KIT
503 14 37-01	M	SEALING	505 10 35-01	Q	O-RING
503 14 49-01	C	CLUTCH ASSY	505 27 75-16	K	INSULATING CAP
503 14 51-01	C	CLUTCH SPRING	505 28 33-07	M	HOSE CLAMP
503 14 54-02	D	GROMMET	505 31 67-17	N	SCREW-LEVER PIN
503 19 22-01	N	SCREW PAN HD(M2.5x5)	505 31 67-31	N	PIN-METERING LEVER
503 20 00-45	A	SCREW COLLAR	505 31 67-34	N	LEVER-METERING
503 20 02-16	R	SCREW	505 31 67-37	N	SPRING-NEEDLE
503 20 72-05	A	SCREW	505 31 67-48	N	WASHER
503 21 06-16	J	SCREW	505 41 79-01	E	MUFFLER
503 21 28-06	K	SCREW	505 41 90-01	E	EXHAUST DUCT
503 21 45-16	H	SCREW	505 42 04-01	H	NUT
503 21 53-10	AGR	SCREW	505 52 42-01	Q	VALVE SPINDLE
503 21 53-12	DEGH	SCREW	505 57 41-16	AB	SCREW
503 21 53-20	BDKM	SCREW	506 00 69-01	K	SCREW
503 21 53-21	D	SCREW	506 02 83-01	N	WASHER
503 21 53-25	H	SCREW	506 02 87-01	B	FLANGE WASHER
503 21 53-26	JL	SCREW	506 02 88-30	B	BUSHING
503 21 53-30	L	SCREW	506 07 09-01	B	FLANGE WASHER
503 21 53-41	D	SCREW	506 13 95-11	ABR	WASHER
503 21 53-56	L	SCREW	506 13 96-01	ABR	COLLAR SCREW
503 21 53-65	D	SCREW	506 14 32-01	A	TORSION STOP
503 21 54-20	GQ	SCREW	506 22 75-01	R	SLEEVE
503 22 00-01	CD	NUT FLANGE	506 23 34-01	H	SUPPORT
503 22 10-03	K	NUT	506 23 70-01	D	AIR NOZZLE
503 23 00-05	E	WASHER	506 24 14-04	D	CUTTER ARM
503 23 00-42	K	WASHER STEEL	506 25 04-01	M	SUPPORT
503 23 01-04	A	WASHER	506 25 43-01	D	CHOKE CONTROL
503 23 43-02	J	WASHER	506 25 46-01	M	CHISEL GUIDE

No.	Pos.	Description	No.	Pos.	Description
506 25 58-02	J	STARTER COVER	525 32 18-01	L	COVER
506 25 59-03	H	TANK CAP ASSY	525 61 70-04	L	SEALING
506 26 41-01	H	FUEL FILTER	525 76 35-02	L	DECAL
506 26 41-11	H	FUEL FILTER	525 81 69-01	L	LABEL
506 26 63-02	B	LINING	525 81 69-02	L	LABEL
506 26 64-01	B	RATCHET FLANGE	525 81 81-03	L	DECAL
506 26 65-01	B	FLANGE	525 81 81-04	L	DECAL
506 26 68-01	A	COMPRESSION SPRING	525 82 04-01	G	GROUND SUPPORT
506 26 84-01	C	SPACING SLEEVE	530 03 50-15	N	SCREW-VALVE
506 27 11-01	H	HOSE CLAMP	535 03 94-01	R	CONNECTION PLATE
506 27 17-03	C	BELT GUARD	537 00 28-01	N	RING
506 27 43-02	DEMP	GASKET	537 00 29-01	N	COVER
506 27 52-02	M	INLET PIPE	537 00 30-01	N	SHAFT ASS'Y
506 27 55-04	J	STARTER	537 00 31-01	N	SCREW
506 27 92-07	A	BELT GUARD	537 15 34-01	N	JET
506 27 92-08	A	BELT GUARD	540 05 28-01	C	GEAR WHEEL ASSY
506 28 41 22	B	LABEL	540 05 28-03	C	GEAR WHEEL ASSY
506 28 41-12	B	LABEL	544 21 84-20	DEH	SCREW
506 28 41-14	B	LABEL	544 21 84-47	G	SCREW
506 28 41-24	B	LABEL	544 81 16-01	G	BASE
506 28 44-01	A	SCREW COLLAR	544 87 35-01	J	LABEL
506 28 59-01	C	SPACING SLEEVE	544 87 36-01	C	LABEL
506 28 73-01	A	NUT	544 87 38-01	L	LABEL
506 28 84-01	AR	SCREEN PATTERN FLANG	544 97 63-01	A	BELT
506 28 97-01	M	FLANGE	544 97 63-02	A	BELT
506 28 98-01	H	THROTTLE WIRE	544 98 50-01	A	PULLEY
506 29 21-01	H	GASKET	574 51 22-01	H	NUT LOCKING
506 29 24-03	DEMP	GASKET KIT	574 56 04-01	E	SCREW
506 29 39-01	H	TANK WENT	576 12 09-01	L	DECAL
506 29 57-02	Q	NIPPLE	576 12 10-02	B	LABEL
506 29 83-65	AR	SHAFT	576 12 10-03	B	LABEL
506 29 88-01	Q	FILTER	576 22 39-01	D	CRANKCASE
506 31 38-01	M	INSERT	576 22 40-01	S	SHORT BLOCK
506 31 86-02	K	STOP SWITCH	576 27 00-01	E	CYLINDER
506 32 48-01	B	SUPPORT FLANGE	576 55 32-01	L	CYLINDER COVER
506 33 56-25	J	STARTER CORD	576 66 57-01	R	BEARING HOUSING
506 33 56-50	J	STARTER CORD	576 66 57-02	R	BEARING HOUSING
506 34 05-44	B	WHEEL GUARD ASSY	576 66 57-03	R	BEARING HOUSING
506 34 05-46	B	WHEEL GUARD ASSY	576 66 57-04	R	BEARING HOUSING
506 34 05-54	B	WHEEL GUARD ASSY	576 76 90-01	N	SPRING-METER.LEVER
506 34 05-56	B	WHEEL GUARD ASSY	577 34 38-01	F	CRANKSHAFT ASSY
506 34 14-01	E	COOLING PLATE	720 12 40-20	H	PARALLEL PIN
506 34 46-02	B	HANDLE	720 12 78-06	H	PIN
506 35 27-01	Q	PROTECTIVE SPRING	721 42 06-00	D	PIN
506 35 80-01	R	BRACKET	724 12 87-59	R	SCREW
506 35 90-01	R	WIRING	729 52 91-71	R	SCREW
506 35 91-03	R	STOP SWITCH	732 25 12-01	R	NUT
506 35 91-04	R	STOP SWITCH	734 11 47-41	G	WASHER
506 35 96-01	R	SPACING BLOCK	735 11 73-50	K	SPRING WASHER
506 37 96-20	B	BUSHING	735 88 06-00	F	WOODRUFF KEY
506 37 96-22	B	BUSHING	737 44 13-00	E	CIRCLIP
506 37 96-25	B	BUSHING			
506 38 26-01	P	COMBINATION TOOL			
506 38 60-12	Q	VALVE ASSY			
506 38 78-34	K	IGNITION CABLE			
506 39 42-08	A	BEARING HOUSING			
506 40 93-01	A	NUT			
506 49 87-01	Q	HOSE CLAMP			
506 49 87-02	Q	HOSE CLAMP			
506 60 68-06	Q	HOSE			
506 60 75-01	Q	HOSE			
510 11 56-01	K	IGNITION MODULE			
510 24 37-01	M	INLET ELBOW			
510 24 38-01	M	BELLOWS			
510 24 39-01	M	FILTER CONNECTION			
510 24 41-03	L	AIR FILTER			
516 00 24-01	E	SCREW			
521 95 48-01	G	HANDLE			
522 89 20-04	K	FLYWHEEL ASSY			
525 32 16-01	L	FILTER COVER			

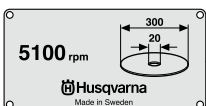
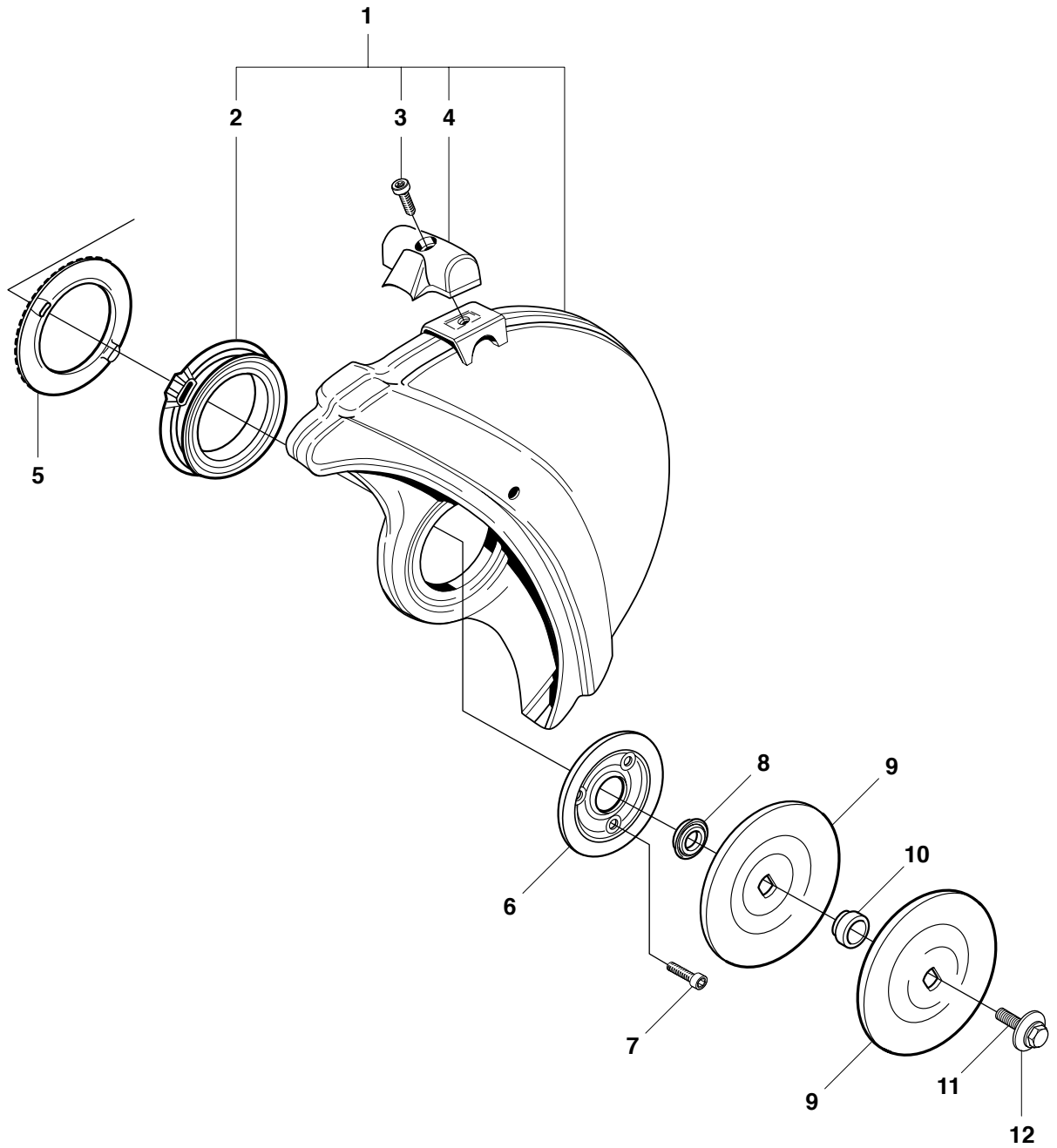
A K1260
K1260 Rail



Page A**K1260, K1260 Rail**

Pos.	Part No.	Description	Quantity	Notes	New Part
1	506 27 92-06	BELT GUARD	1	Incl. 2 - 4	
1	506 27 92-07	BELT GUARD	1	Rail 14", Incl. 2 - 4	
1	506 27 92-08	BELT GUARD	1	Rail 16", Incl. 2 - 4	
2	506 40 93-01	NUT	1		
3	506 26 68-01	COMPRESSION SPRING	1		
4	503 20 72-05	SCREW	1		
5	506 28 44-01	SCREW COLLAR	2		
6	503 20 00-45	SCREW COLLAR	1		
7	503 23 01-04	WASHER	2		
8	544 97 63-01	BELT	1	14", 16", Rail 14"	
8	544 97 63-02	BELT	1	Rail 16"	
9	544 98 50-01	PULLEY	1		
10	506 39 42-08	BEARING HOUSING	1	Incl. 11 - 15	
11	505 57 41-16	SCREW	1		
12	506 14 32-01	TORSION STOP	1		
13	506 28 73-01	NUT	2		
14	503 21 53-10	SCREW	2		
15	506 28 84-01	SCREEN PATTERN FLANGE	1		
16	503 25 21-01	BALL BEARING	2		
17	506 29 83-65	SHAFT	1	Incl. 18 - 19	
18	506 13 95-11	WASHER	1		
19	506 13 96-01	COLLAR SCREW	1		

B K1260
K1260 Rail



13

△ 取扱上のご注意 △

パートナーカッターは、取扱いを誤ると危険を及ぼすことがあります。安全作業のために取扱説明書に従って下さい。

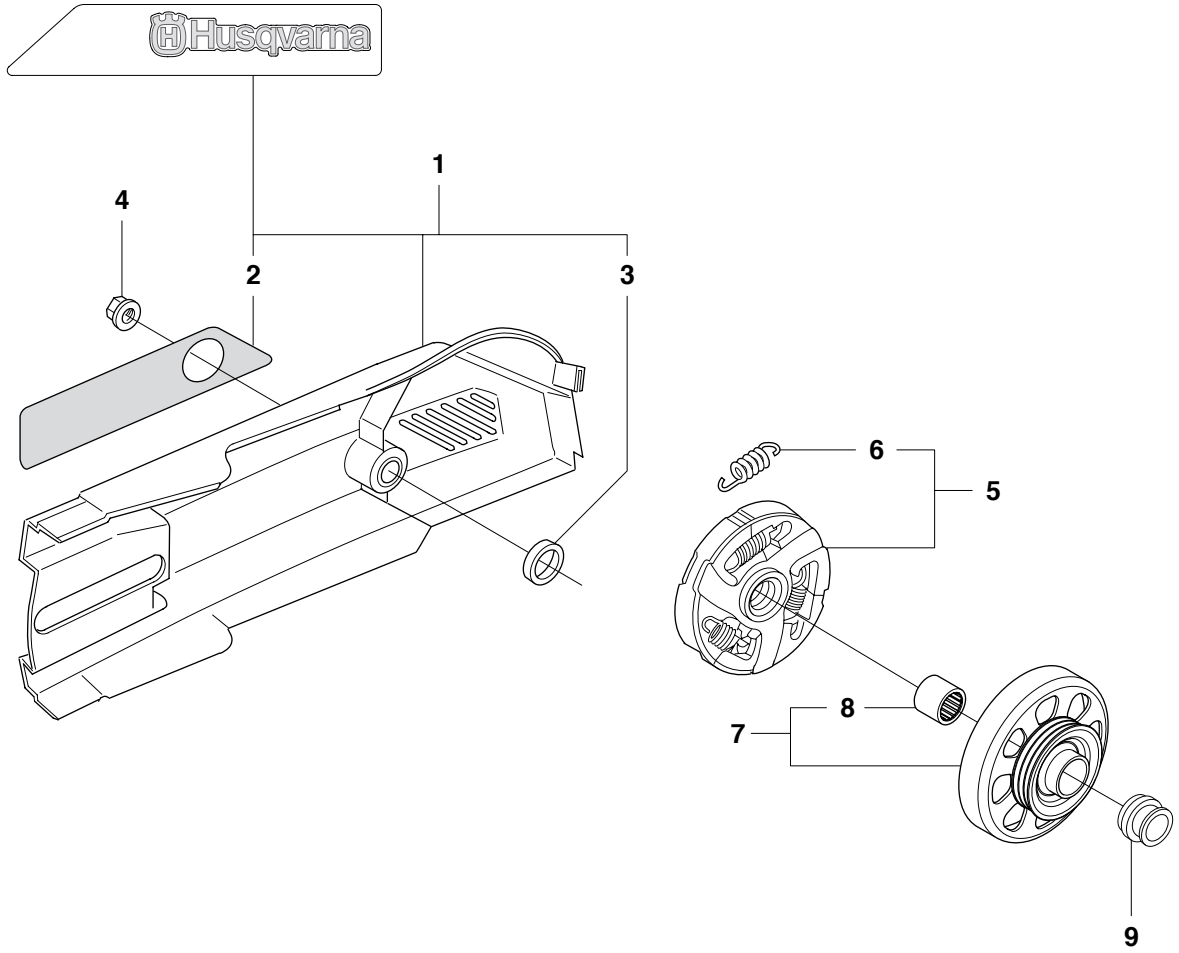
- このパートナーカッターは、全ての使用に際し、メンテナンスが、安全装置の作動、長寿命、確実な作業に繋がります。
- 高速回転して稼働するパートナーカッター目視して稼働させた状態では危険を及ぼす可能性があります。
- 使用後は必ず、パルススイッチでエンジンを停止させて下さい。
- 刃物、刃磨き、メンテナンス、安全装置、安全作業など、使用して下さい。
- 取扱説明書、作業説明書を必ず読んで下さい。
- パルススイッチの動作を確認してから稼働を再開して下さい。
- 取扱説明書、パルススイッチについて、詳細に説明が記述されています。
- 取扱説明書の注意事項に従って作業して下さい。

14

Page B**K1260, K1260 Rail**

Pos.	Part No.	Description	Quantity	Notes	New Part
1	506 34 05-44	WHEEL GUARD ASSY	1	14". Incl. 2 - 4	
1	506 34 05-46	WHEEL GUARD ASSY	1	16". Incl. 2 - 4	
1	506 34 05-54	WHEEL GUARD ASSY	1	14" Rail, Incl. 2 - 4	
1	506 34 05-56	WHEEL GUARD ASSY	1	16" Rail, Incl. 2 - 4	
2	506 26 63-02	LINING	1		
3	503 21 53-20	SCREW	1		
4	506 34 46-02	HANDLE	1		
5	506 26 64-01	RATCHET FLANGE	1		
6	506 26 65-01	FLANGE	1		
7	505 57 41-16	SCREW	3		
8	506 32 48-01	SUPPORT FLANGE	1		
9	506 02 87-01	FLANGE WASHER	1	Diam 105	
9	506 07 09-01	FLANGE WASHER	1	Diam 119	
10	506 37 96-20	BUSHING	1	Diam 20	
10	506 37 96-22	BUSHING	1	Diam 22,2	
10	506 37 96-25	BUSHING	1	Diam 25	
10	506 02 88-30	BUSHING	1	Diam 30,5	
11	506 13 96-01	COLLAR SCREW	1		
12	506 13 95-11	WASHER	1		
13	506 28 41-12	LABEL	1	14". Diam 20 mm	
13	506 28 41-14	LABEL	1	14". Diam 1"	
13	506 28 41 22	LABEL	1	16". Diam 20 mm	
13	506 28 41-24	LABEL	1	16". Diam 1"	
14	576 12 10-02	LABEL	1	Japan 14"	
14	576 12 10-03	LABEL	1	Japan 16"	

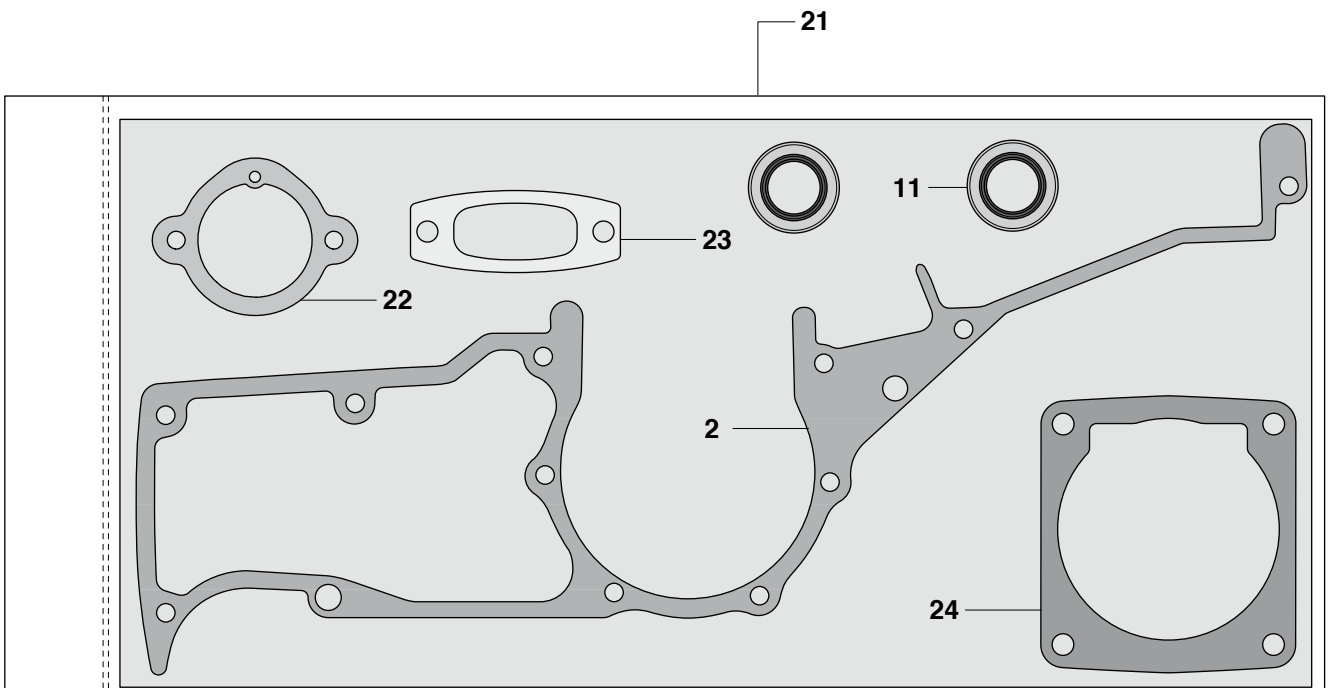
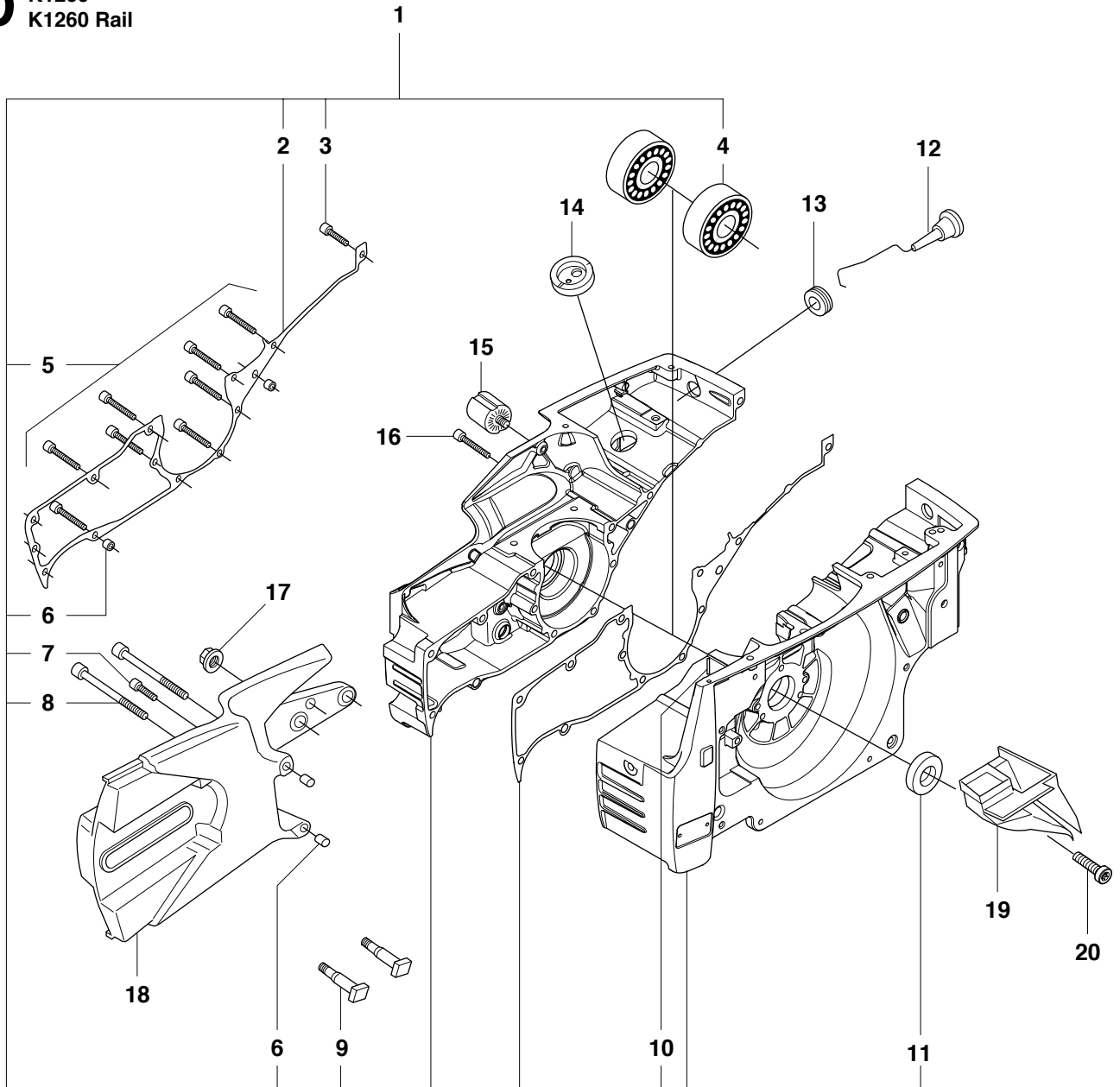
C K1260
K1260 Rail



Page C
K1260, K1260 Rail

Pos.	Part No.	Description	Quantity	Notes	New Part
1	506 27 17-03	BELT GUARD	1	Incl. 2, 3	
2	544 87 36-01	LABEL	1		
3	506 26 84-01	SPACING SLEEVE	1		
4	503 22 00-01	NUT FLANGE	1		
5	503 14 49-01	CLUTCH ASSY	1	Incl. 6	
6	503 14 51-01	CLUTCH SPRING	3		
7	540 05 28-01	GEAR WHEEL ASSY	1	14". Incl. 8	
7	540 05 28-03	GEAR WHEEL ASSY	1	16". Incl. 8	
8	503 25 38-01	NEEDLE BEARING	1		
9	506 28 59-01	SPACING SLEEVE	1		

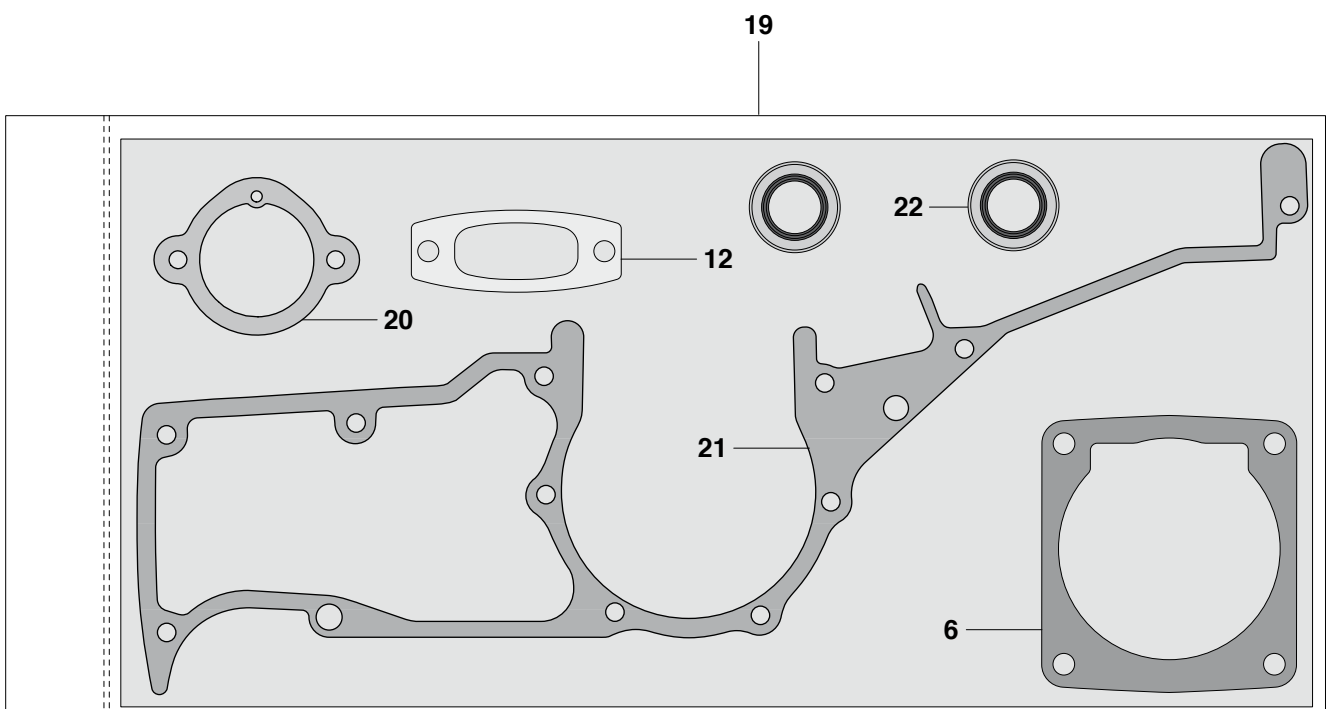
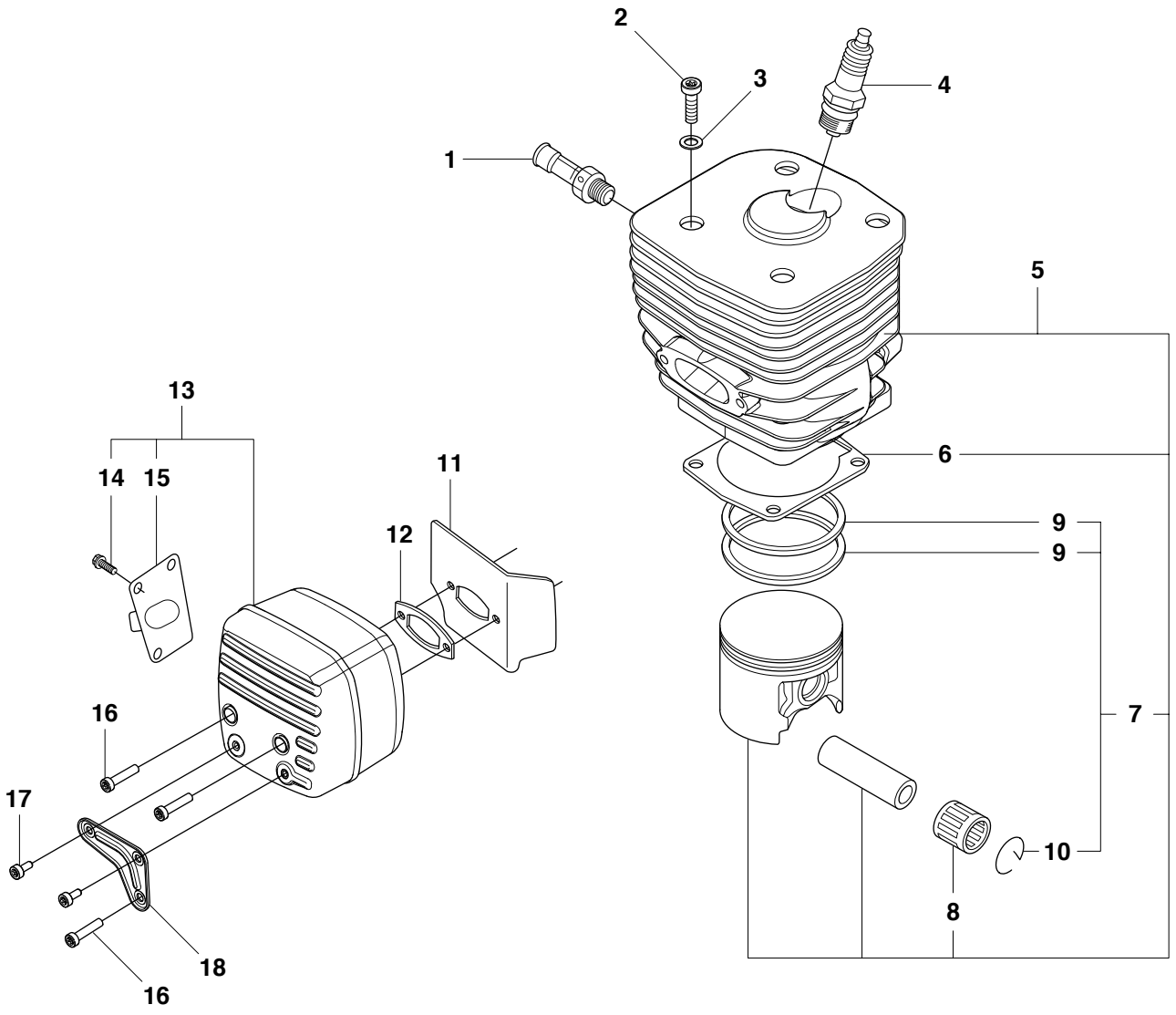
D K1260
K1260 Rail



Page D**K1260, K1260 Rail**

Pos.	Part No.	Description	Quantity	Notes	New Part
1	576 22 39-01	CRANKCASE	1	Incl. 2-11	
2	503 13 45-01	CRANKCASE GASKET	1		
3	503 21 53-20	SCREW	1		
4	503 25 00-02	BALL BEARING	2		
5	503 21 53-41	SCREW	9		
6	501 27 08-01	GUIDE BUSHING	4		
7	503 21 53-21	SCREW	1		
8	503 21 53-65	SCREW	2		
9	501 81 57-01	BAR BOLT	2		
10	721 42 06-00	PIN	1		
11	503 26 02-05	SEALING RING	2		
12	506 25 43-01	CHOKE CONTROL	1		
13	503 14 54-02	GROMMET	1		
14	503 13 20-01	GROMMET	1		
15	501 26 97-04	VIB.INSULATOR	1		
16	544 21 84-20	SCREW	1		
17	503 22 00-01	NUT FLANGE	1		
18	506 24 14-04	CUTTER ARM	1		
19	506 23 70-01	AIR NOZZLE	1		
20	503 21 53-12	SCREW	1		
21	506 29 24-03	GASKET KIT	1	Incl. 2, 11, 22 - 24	
22	506 27 43-02	GASKET	1		
23	503 13 13-05	GASKET MUFFLER	1		
24	503 13 46-01	GASKET	1		

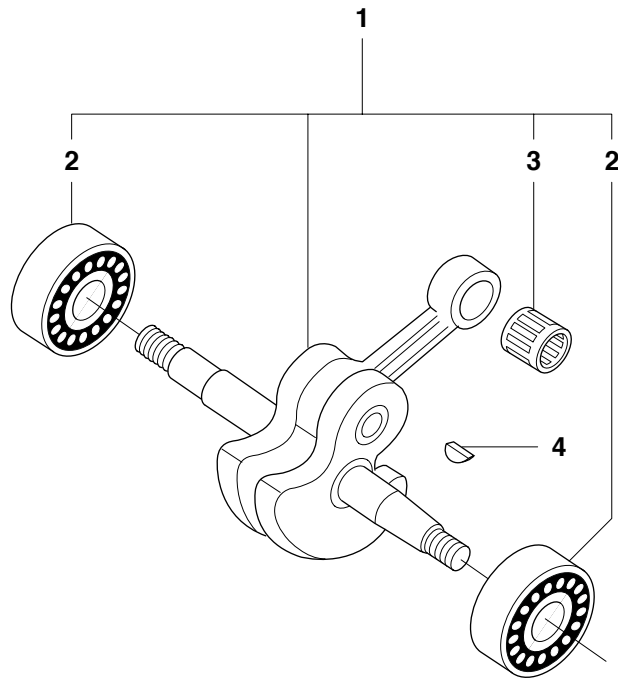
E K1260
K1260 Rail



Page E
K1260, K1260 Rail

Pos.	Part No.	Description	Quantity	Notes	New Part
1	503 66 56-01	DECOMPRESSION VALVE	1		
2	516 00 24-01	SCREW	4		
3	503 23 00-05	WASHER	4		
4	503 23 51-09	SPARK PLUG	1	RCJ 6Y	
5	576 27 00-02	CYLINDER	1	Incl. 6 - 8	
6	503 13 46-01	GASKET	1		
7	501 89 41-03	PISTON CPL	1	Incl. 9 - 10	
8	503 13 29-01	NEEDLE HOLDER	1		
9	503 28 90-26	PISTON RING	2		
10	737 44 13-00	CIRCLIP	2		
11	506 34 14-01	COOLING PLATE	1		
12	503 13 13-05	GASKET MUFFLER	1		
13	505 41 79-01	MUFFLER	1	Incl. 14 - 15	
14	574 56 04-01	SCREW	4		
15	505 41 90-01	EXHAUST DUCT	1		
16	544 21 84-20	SCREW	3		
17	503 21 53-12	SCREW	2		
18	502 85 08-01	MUFFLER SUPPORT	1		
19	506 29 24-03	GASKET KIT	1	Incl. 6, 12, 20 - 22	
20	506 27 43-02	GASKET	1		
21	503 13 45-01	CRANKCASE GASKET	1		
22	503 26 02-05	SEALING RING	2		

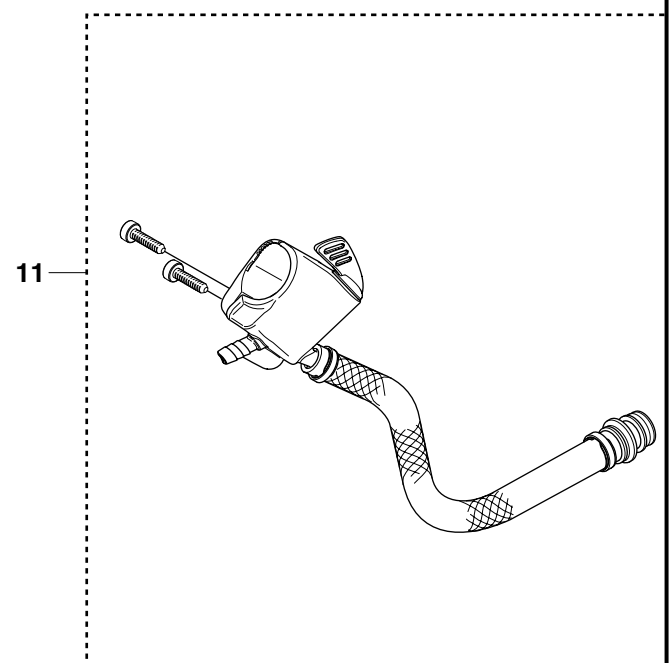
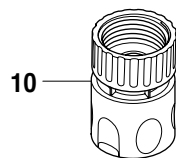
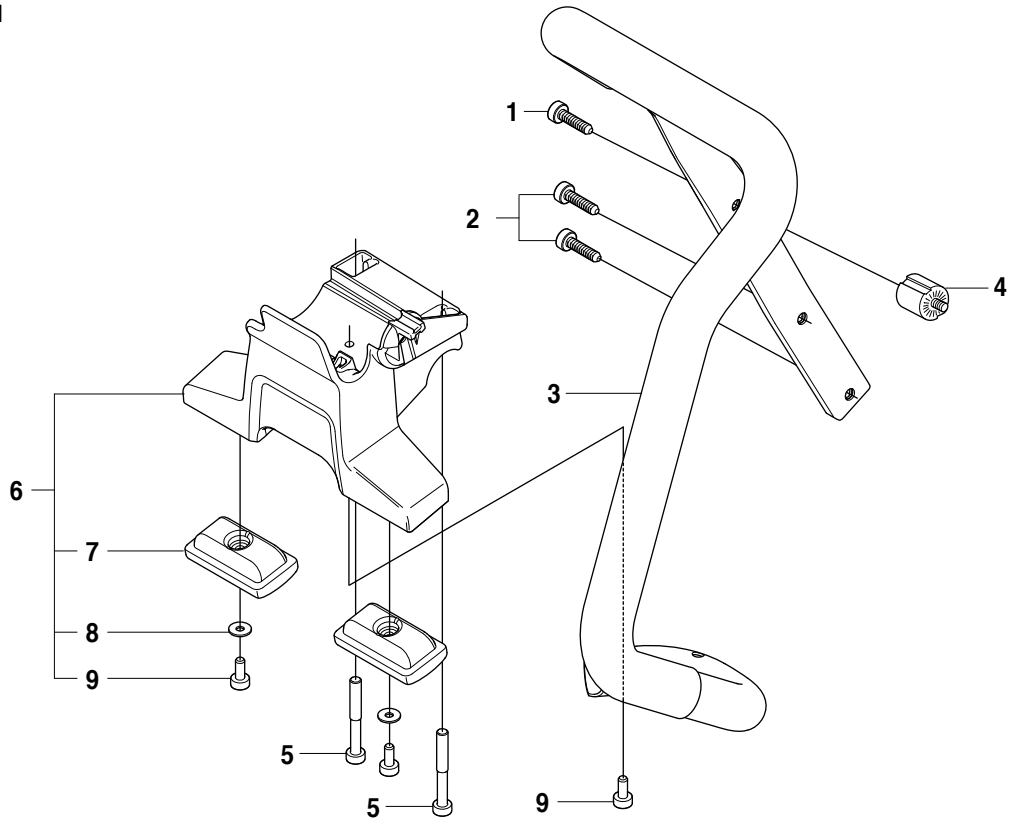
F K1260
K1260 Rail



Page F
K1260, K1260 Rail

Pos.	Part No.	Description	Quantity	Notes	New Part
1	577 34 38-01	CRANKSHAFT ASSY	1	Incl. 2, 3	
2	503 25 00-02	BALL BEARING	2		
3	503 13 29-01	NEEDLE HOLDER	1		
4	735 88 06-00	WOODRUFF KEY	1		

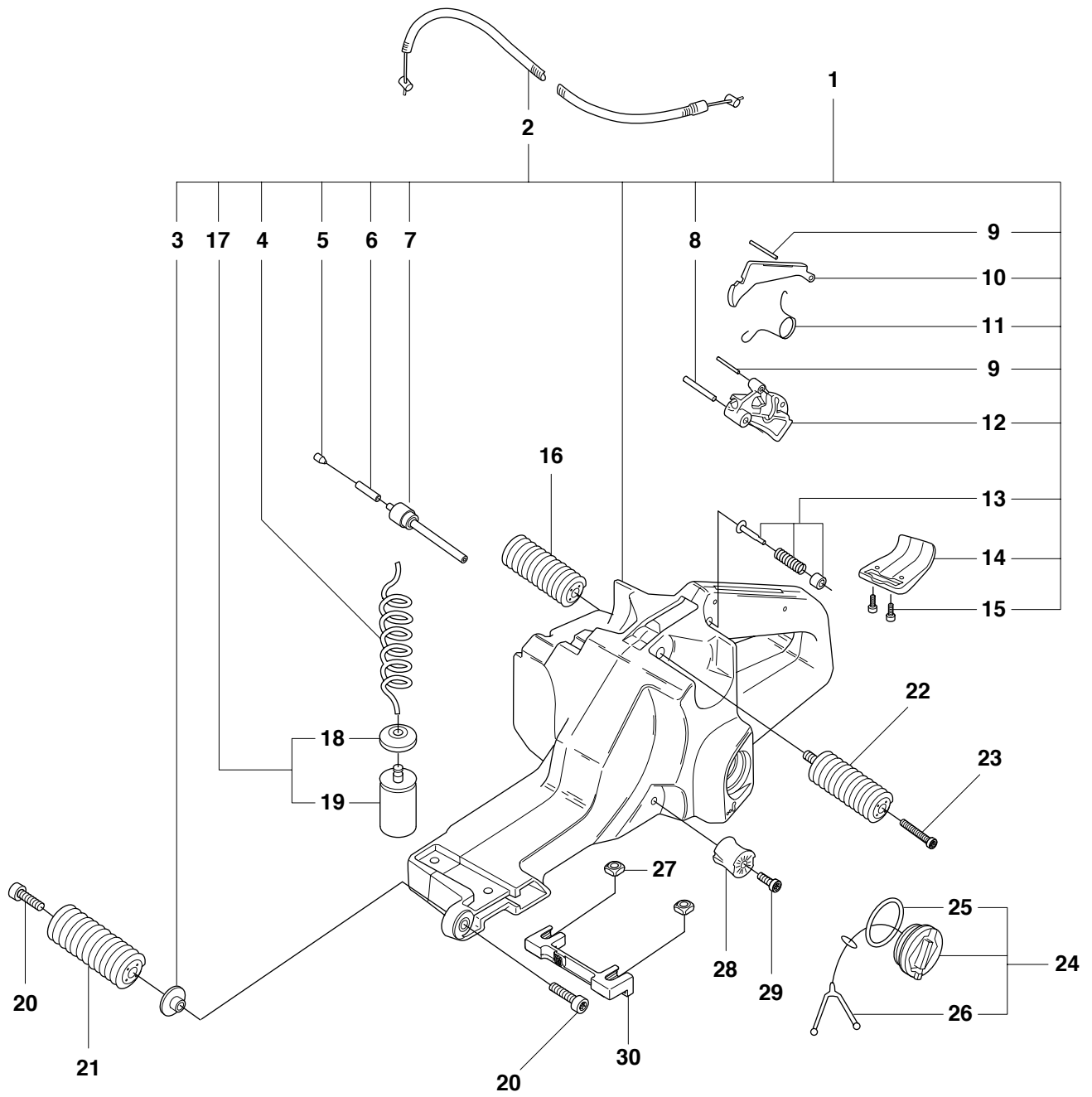
G K1260
K1260 Rail



Page G**K1260, K1260 Rail**

Pos.	Part No.	Description	Quantity	Notes	New Part
1	503 21 53-10	SCREW	1		
2	503 21 54-20	SCREW	2		
3	521 95 48-01	HANDLE	1		
4	501 26 97-04	ANTIVIBRATION ELEMENT	1		
5	544 21 84-47	SCREW	2		
6	525 82 04-01	GROUND SUPPORT	1	Incl. 7 - 9	
7	544 81 16-01	BASE	2		
8	734 11 47-41	WASHER	2		
9	503 21 53-12	SCREW	3		
10	503 26 60-03	COUPLER	1	USA, Canada	
10	503 26 60-04	COUPLER	1		
11	505 09 55-01	HOSE KIT	1		

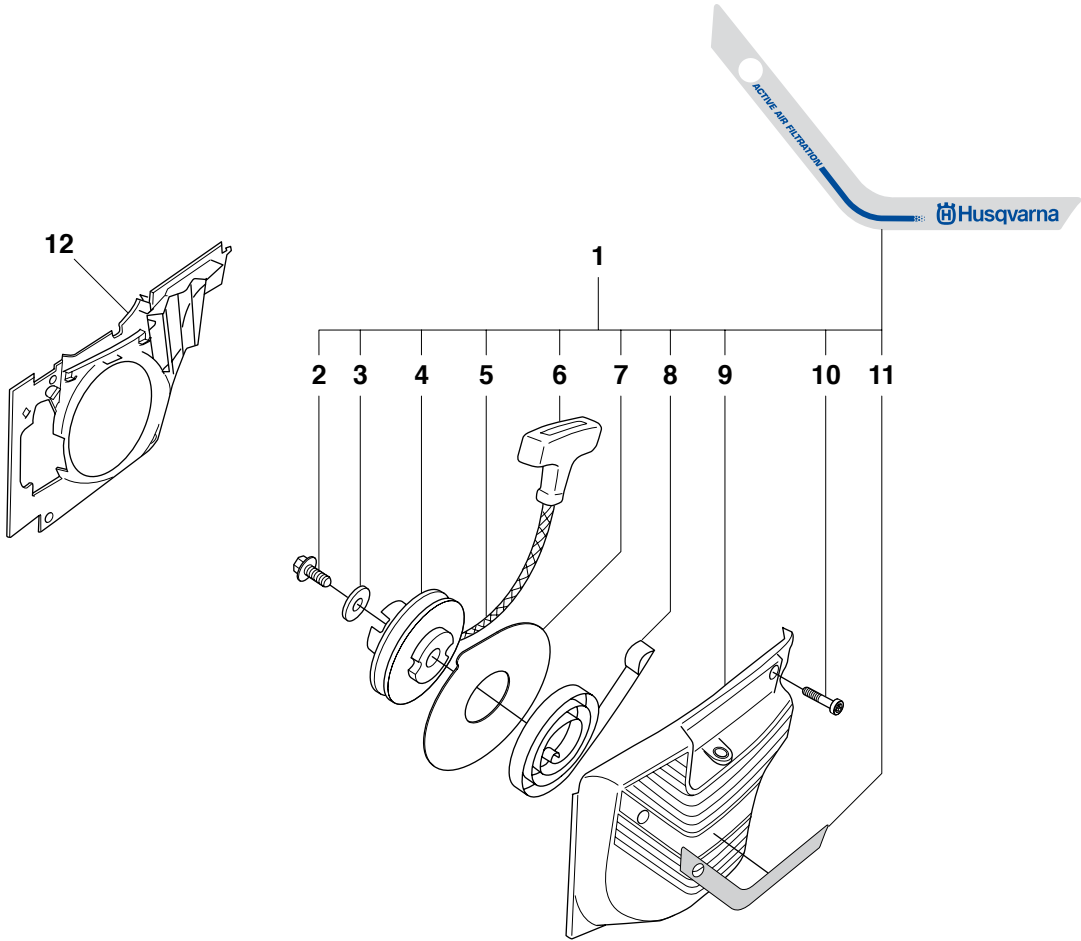
H K1260
K1260 Rail



Page H
K1260, K1260 Rail

Pos.	Part No.	Description	Quantity	Notes	New Part
1	503 14 21-06	TANK UNIT ASSY	1	Incl. 1 - 15, 17	
2	506 28 98-01	THROTTLE WIRE	1		
3	503 14 08-01	BUSHING	1		
4	503 57 76-02	FUEL HOSE	1		
5	504 35 72-01	SINTER PLUG	1		
6	501 76 83-04	FUEL HOSE	1		
7	506 29 39-01	TANK WENT	1		
8	720 12 78-06	PIN	1		
9	720 12 40-20	PARALLEL PIN	1		
10	503 13 16-01	THROTTLE LOCKOUT	1		
11	503 13 18-01	SPRING	1		
12	503 13 36-01	THROTTLE LEVER	1		
13	503 14 23-01	THROTTLE CATCH	1		
14	506 23 34-01	SUPPORT	1		
15	503 21 45-16	SCREW	2		
16	503 13 26-02	AV-ELEMENT	1		
17	506 26 41-11	FUEL FILTER	1	Incl. 18 - 19	
18	506 27 11-01	HOSE CLAMP	1		
19	506 26 41-01	FUEL FILTER	1		
20	503 21 53-25	SCREW	2		
21	503 13 27-02	AV-ELEMENT	1		
22	503 13 25-02	AV-ELEMENT	1		
23	544 21 84-20	SCREW	2		
24	506 25 59-03	TANK CAP ASSY	1	Incl. 25 - 26	
25	506 29 21-01	GASKET	1		
26	503 57 89-01	HOLDER	1		
27	505 42 04-01	NUT	2		
28	501 81 47-01	ANTIVIBRATIONS ELEME	1		
29	503 21 53-12	SCREW	1		
30	574 51 22-01	NUT LOCKING	1		

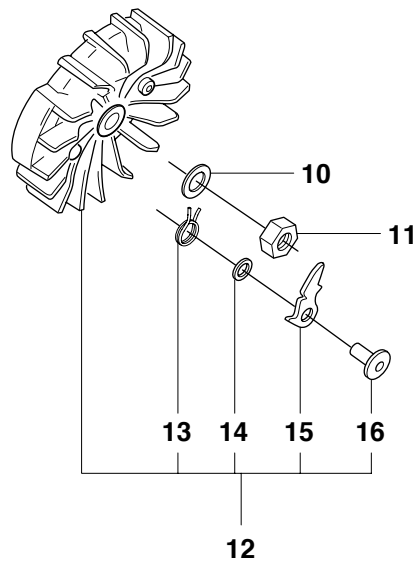
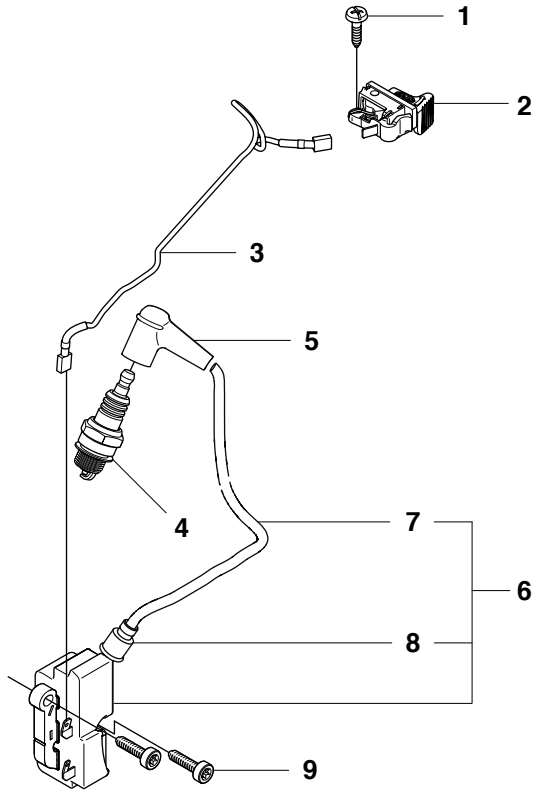
J K1260
K1260 Rail



Page J
K1260, K1260 Rail

Pos.	Part No.	Description	Quantity	Notes	New Part
1	506 27 55-04	STARTER	1	Incl. 2 - 11	
2	503 21 06-16	SCREW	1		
3	503 23 43-02	WASHER	1		
4	501 89 67-01	STARTER PULLEY	1		
5	506 33 56-25	STARTER CORD	1		
5	506 33 56-50	STARTER CORD	1	50 meter	
6	503 12 79-01	STARTER HANDLE	1		
7	503 74 36-01	DISC	1		
8	503 13 50-01	RECOIL SPRING ASSY	1		
9	506 25 58-02	STARTER COVER	1		
10	503 21 53-26	SCREW	4		
11	544 87 35-01	LABEL	1		
12	501 89 59-02	AIR CONDUCTOR	1		
12	501 89 59-03	AIR CONDUCTOR	1	Rail Stop Switch only	

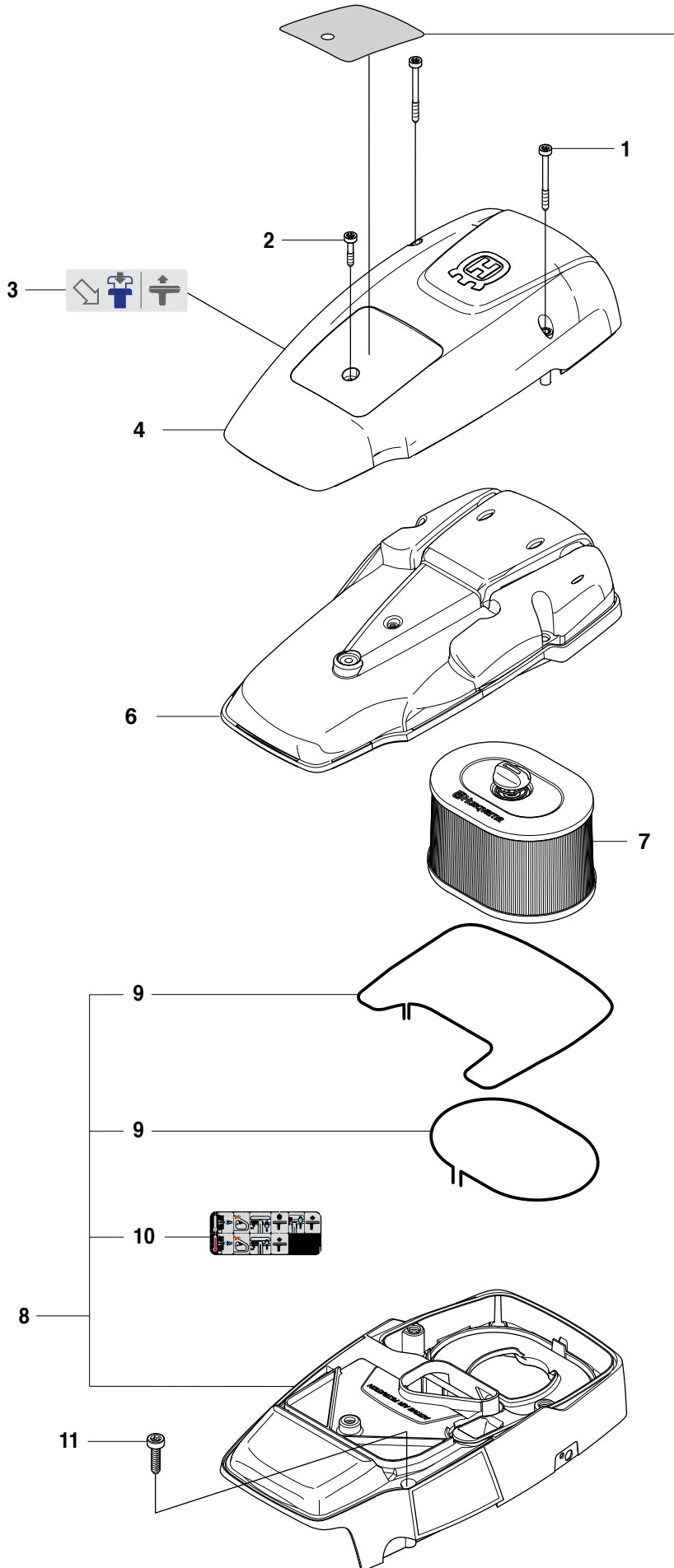
K K1260
K1260 Rail



Page K
K1260, K1260 Rail

Pos.	Part No.	Description	Quantity	Notes	New Part
1	503 21 28-06	SCREW	1		
2	506 31 86-02	STOP SWITCH	1		
3	501 83 98-03	CABLE	1		
4	503 23 51-09	SPARK PLUG	1	RCJ 6Y	
5	501 48 54-02	SPARK PLUG CAP	1		
6	510 11 56-01	IGNITION MODULE	1	Incl. 7 - 8	
7	506 38 78-34	IGNITION CABLE	1		
8	505 27 75-16	INSULATING CAP	1		
9	503 21 53-20	SCREW	2		
10	735 11 73-50	SPRING WASHER	1		
11	503 22 10-03	NUT	1		
12	522 89 20-04	FLYWHEEL ASSY	1	Incl. 13 - 16	
13	501 63 48-01	SPRING	2		
14	503 23 00-42	WASHER STEEL	2		
15	501 67 32-03	PAWL	2		
16	506 00 69-01	SCREW	2		

L K1260
K1260 Rail



WARNING
Cutters can be dangerous!

For safe operations in **follow all safety**
proceedings in **Operator's Manual.**

- * All operators who have been instructed in the use of this cutter and who are working with it, must read and understand the Operator's Manual and follow the safety instructions and the correct use.
- * Use only allowed or approved cutting equipment approved for professional cutting and approved cutters.
- * Use correct protective equipment as defined in the Operator's Manual. Pay special attention to eye protection and hearing.
- * Operation of this equipment may create sparks that can start fires and/or explosions. Always exercise care by stopping the engine immediately if sparks are produced. Do not use this equipment in the vicinity of flammable gases or liquids.

REGOLAMENTO (CE) 2002/95/CE (RETTIFICA) - RECH 2002/95/CE (RECH)
NORMA CEI EN 12276-1:2003
NORMA CEI EN 12276-2:2003

5

WARNING

REGOLAMENTO (CE) 2002/95/CE (RETTIFICA) - RECH 2002/95/CE (RECH)
NORMA CEI EN 12276-1:2003
NORMA CEI EN 12276-2:2003

5

エンジンの始動方法

冷機エンジン **暖機エンジン**

冷機エンジンの始動方法は、エンジンオイルのレベルを確認し、エンジンオイルのレベルが正常であることを確認してから、エンジンを始動してください。暖機エンジンの始動方法は、エンジンオイルのレベルを確認し、エンジンオイルのレベルが正常であることを確認してから、エンジンを始動してください。

スタート ストップ

5

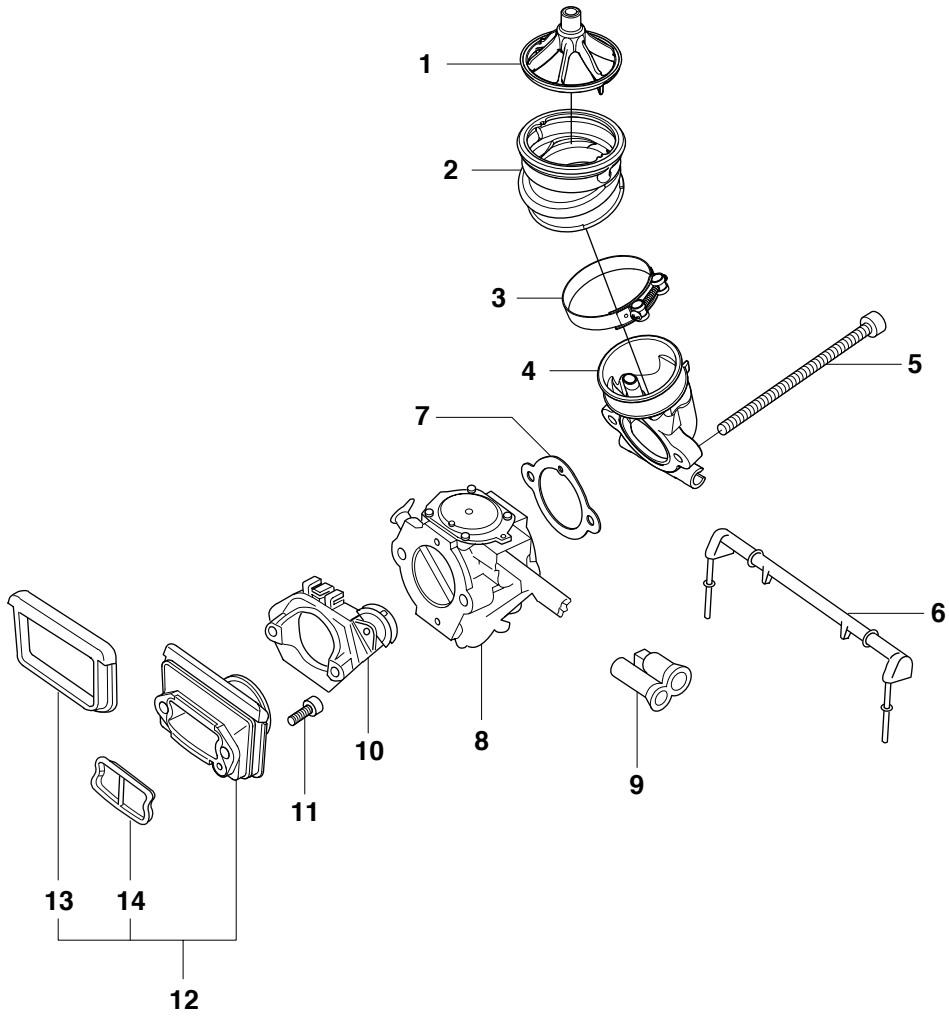
12 **K1260 RAIL**

12 **K1260**

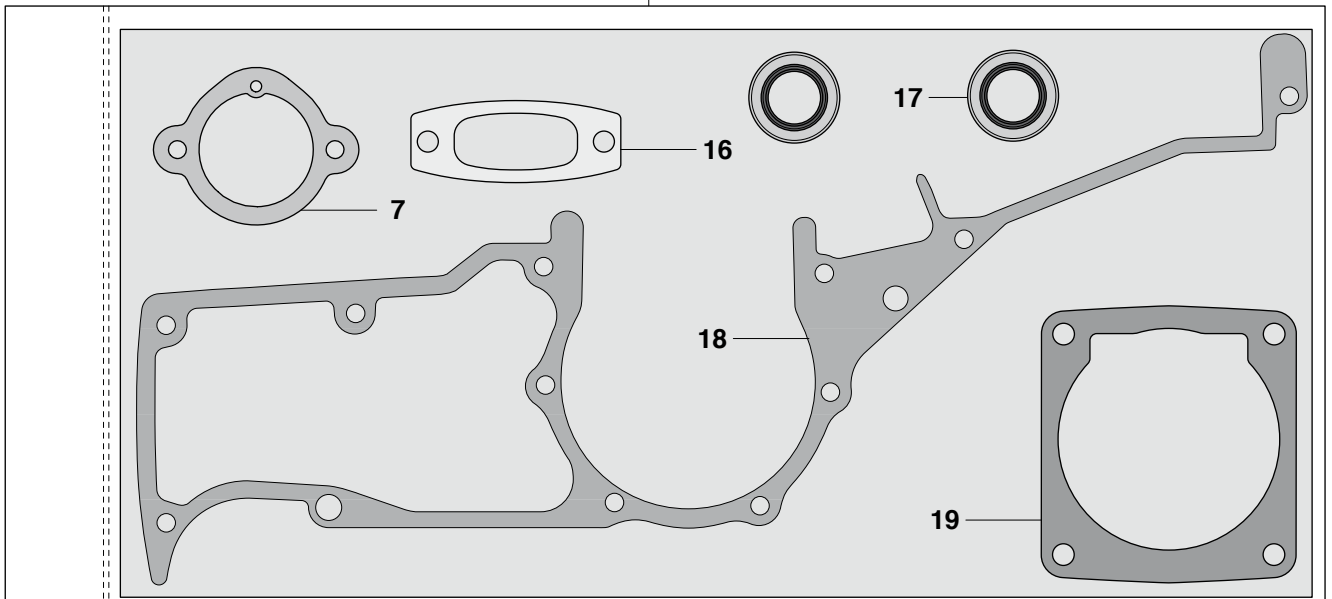
Page L**K1260, K1260 Rail**

Pos.	Part No.	Description	Quantity	Notes	New Part
1	503 21 53-56	SCREW	2		
2	503 21 53-26	SCREW	1		
3	525 76 35-02	DECAL	1		
5	525 81 81-03	DECAL	1	USA	
5	525 81 81-04	DECAL	1	Canada, CE	
5	576 12 09-01	DECAL	1	Japan	
4	525 32 18-01	COVER	1		
6	525 32 16-01	FILTER COVER	1		
7	510 24 41-03	AIR FILTER	1		
8	576 55 32-01	CYLINDER COVER	1	Incl. 9 - 10	
9	525 61 70-04	SEALING	2		
10	544 87 38-01	LABEL	1		
11	503 21 53-30	SCREW	5		
12	525 81 69-01	LABEL	1	K1260	
12	525 81 69-02	LABEL	1	K1260 Rail	

M K1260
K1260 Rail



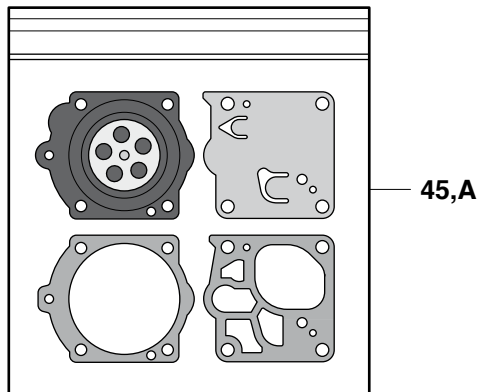
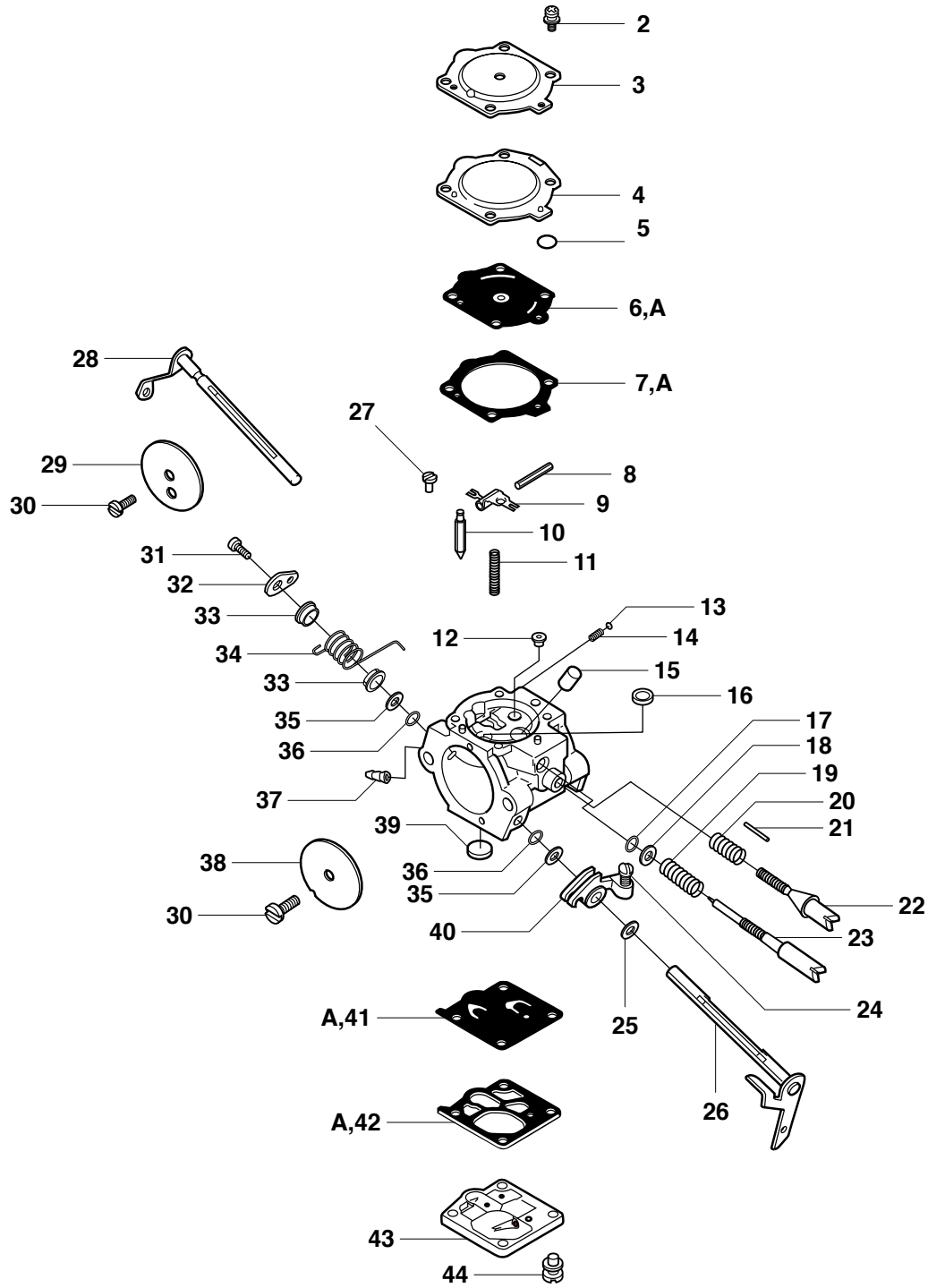
15



Page M
K1260, K1260 Rail

Pos.	Part No.	Description	Quantity	Notes	New Part
1	510 24 39-01	FILTER CONNECTION	1		
2	510 24 38-01	BELLOWS			
3	505 28 33-07	HOSE CLAMP	1		
4	510 24 37-01	INLET ELBOW	1		
5	504 90 94-65	SCREW	2		
6	506 25 04-01	SUPPORT	1		
7	506 27 43-02	GASKET	1		
8	503 28 12-70	CARBURETTOR	1		
9	506 25 46-01	CHISEL GUIDE	1		
10	506 28 97-01	FLANGE	1		
11	503 21 53-20	SCREW	2		
12	506 27 52-02	INLET PIPE	1	Incl. 13 - 14	
13	503 14 37-01	SEALING	1		
14	506 31 38-01	INSERT	1		
15	506 29 24-03	GASKET KIT	1	Incl. 7, 16 - 19	
16	503 13 13-05	GASKET MUFFLER	1		
17	503 26 02-05	SEALING RING	2		
18	503 13 45-01	CRANKCASE GASKET	1		
19	503 13 46-01	GASKET	1		

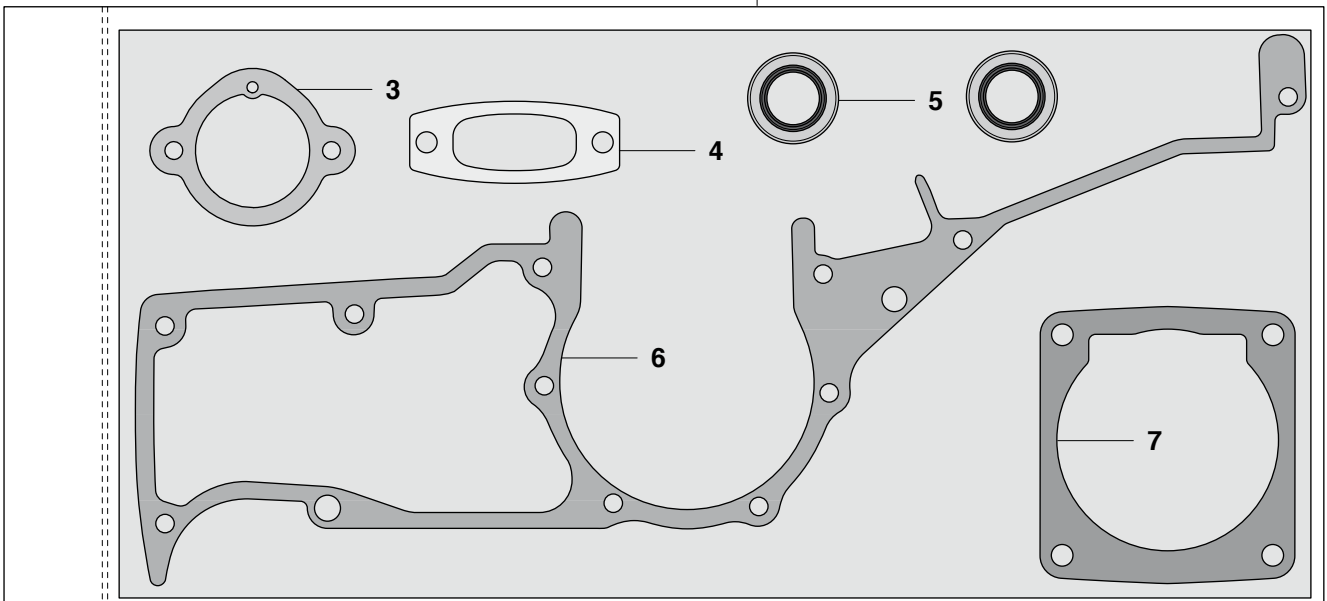
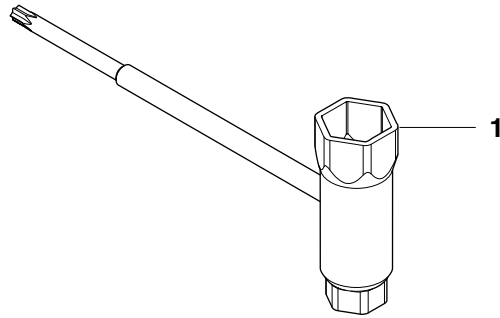
1



K1260, K1260 Rail

Pos.	Part No.	Description	Quantity	Notes	New Part
1	503 28 12-70	CARBURETTOR	1	Walbro WG-9A	
2	537 00 31-01	SCREW	1		
3	501 69 28-01	COVER-METERING DIAPH	1		
4	537 00 29-01	COVER	1		
5	537 00 28-01	RING	1		
6	503 63 28-01	DIAPHRAGM ASSY METER	1	Kit 45	
7	501 46 75-01	GASKET-METERING DIAP	1	Kit 45	
8	505 31 67-31	PIN-METERING LEVER	1		
9	505 31 67-34	LEVER-METERING	1		
10	503 56 34-01	VALVE INLET NEEDLE	1		
11	576 76 90-01	SPRING-METER.LEVER	1		
12	537 15 34-01	JET	1		
13	501 46 85-01	BALL-CHOKE FRICTION	1		
14	501 46 84-01	SPRING-CHOKE FRICT.	1		
15	503 97 66-01	NOZZLE ASSY	1		
16	503 57 42-01	PLUG-WELCH	1		
17	503 59 55-01	O-RING	1		
18	503 59 72-01	WASHER	1		
19	505 31 67-37	SPRING-NEEDLE	1		
20	503 63 31-01	SPRING	1		
21	503 52 60-01	PIN THROTTLE STOP	1		
22	503 63 29-01	SCREW IDLE SPEED	1		
23	503 63 32-01	NEEDLE IDLE SPEED	1		
24	503 59 65-01	SCREW	1		
25	506 02 83-01	WASHER	1		
26	503 59 59-01	SHAFT ASS'Y THROTTLE	1		
27	505 31 67-17	SCREW-LEVER PIN	1		
28	537 00 30-01	SHAFT ASS'Y	1		
29	503 52 58-01	VALVE CHOKE	1		
30	530 03 50-15	SCREW-VALVE	2		
31	503 19 22-01	SCREW PAN HD(M2.5x5)	1		
32	503 59 56-01	LEVER THROTTLE	1		
33	502 10 31-01	BUSHING-THROTT.SPR.	2		
34	503 52 59-01	SPRING THROTT RETURN	1		
35	505 31 67-48	WASHER	2		
36	503 56 45-01	SEAL-THROTTLE SHAFT	2		
37	503 59 84-01	FITTING FUEL INLET	1		
38	503 63 24-01	VALVE THROTTLE	1		
39	501 66 61-01	SCREEN-INLET	1		
40	503 59 57-01	LEVER THROTTLE INNER	1		
41	503 11 73-01	DIAPHRAGM-PUMP	1	Kit 45	
42	503 11 72-01	GASKET-PUMP	1	Kit 45	
43	503 59 58-01	COVER-PUMP	1		
44	503 11 75-01	SCREW-PUMP COVER	1		
45	503 59 74-02	GASKET KIT	1		

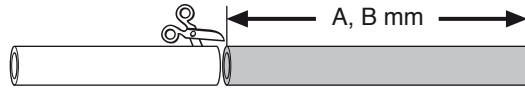
P K1260
K1260 Rail
Accessories
Zubehöre
Accessoires
Accesorios
Tillbehör



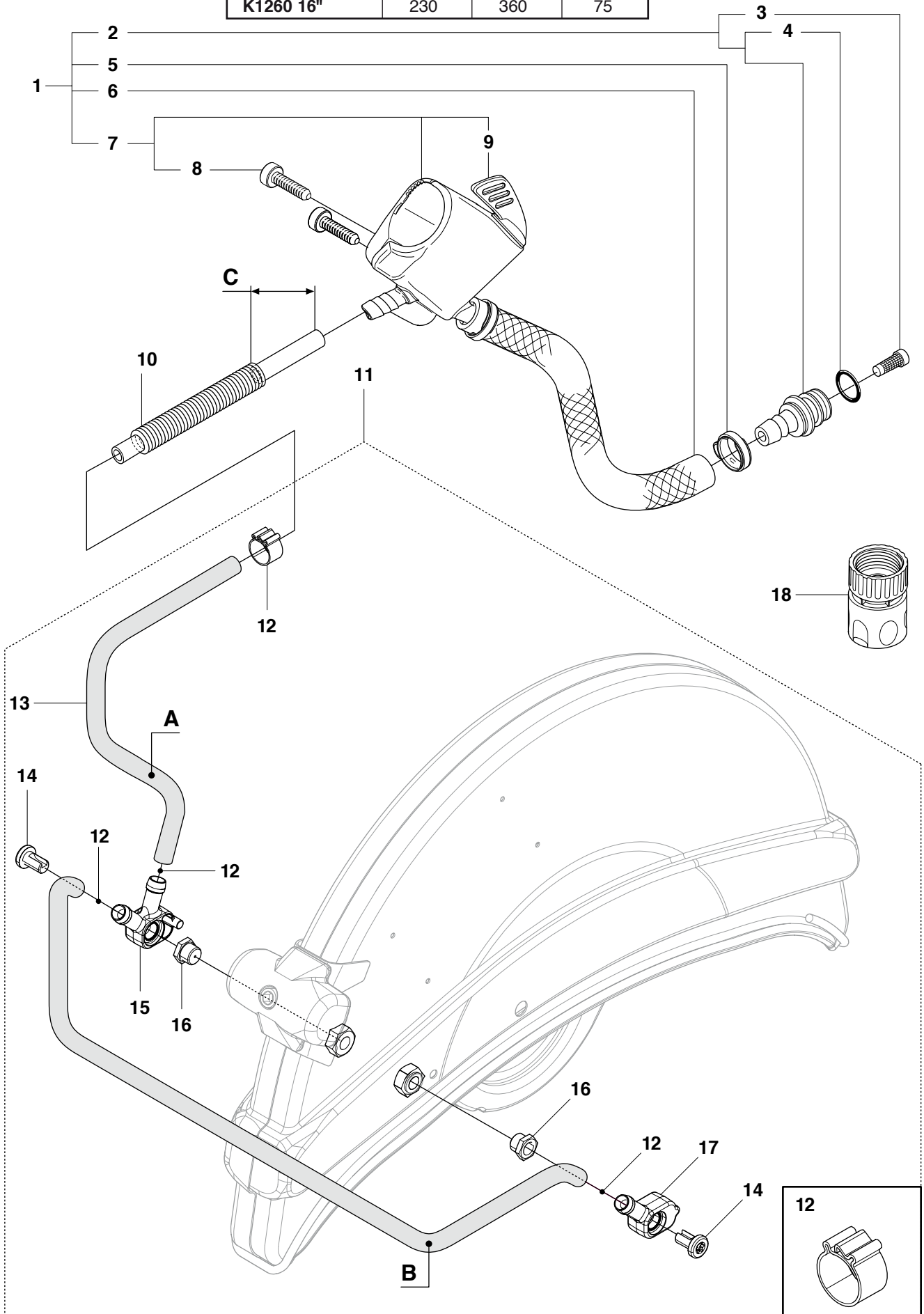
Page P
K1260, K1260 Rail

Pos.	Part No.	Description	Quantity	Notes	New Part
1	506 38 26-01	COMBINATION TOOL	1	Torx 27	
2	506 29 24-03	GASKET KIT	1	Incl. 3 - 7	
3	506 27 43-02	GASKET	1		
4	503 13 13-05	GASKET MUFFLER	1		
5	503 26 02-05	SEALING RING	2		
6	503 13 45-01	CRANKCASE GASKET	1		
7	503 13 46-01	GASKET	1		

Q K1260
K1260 Rail



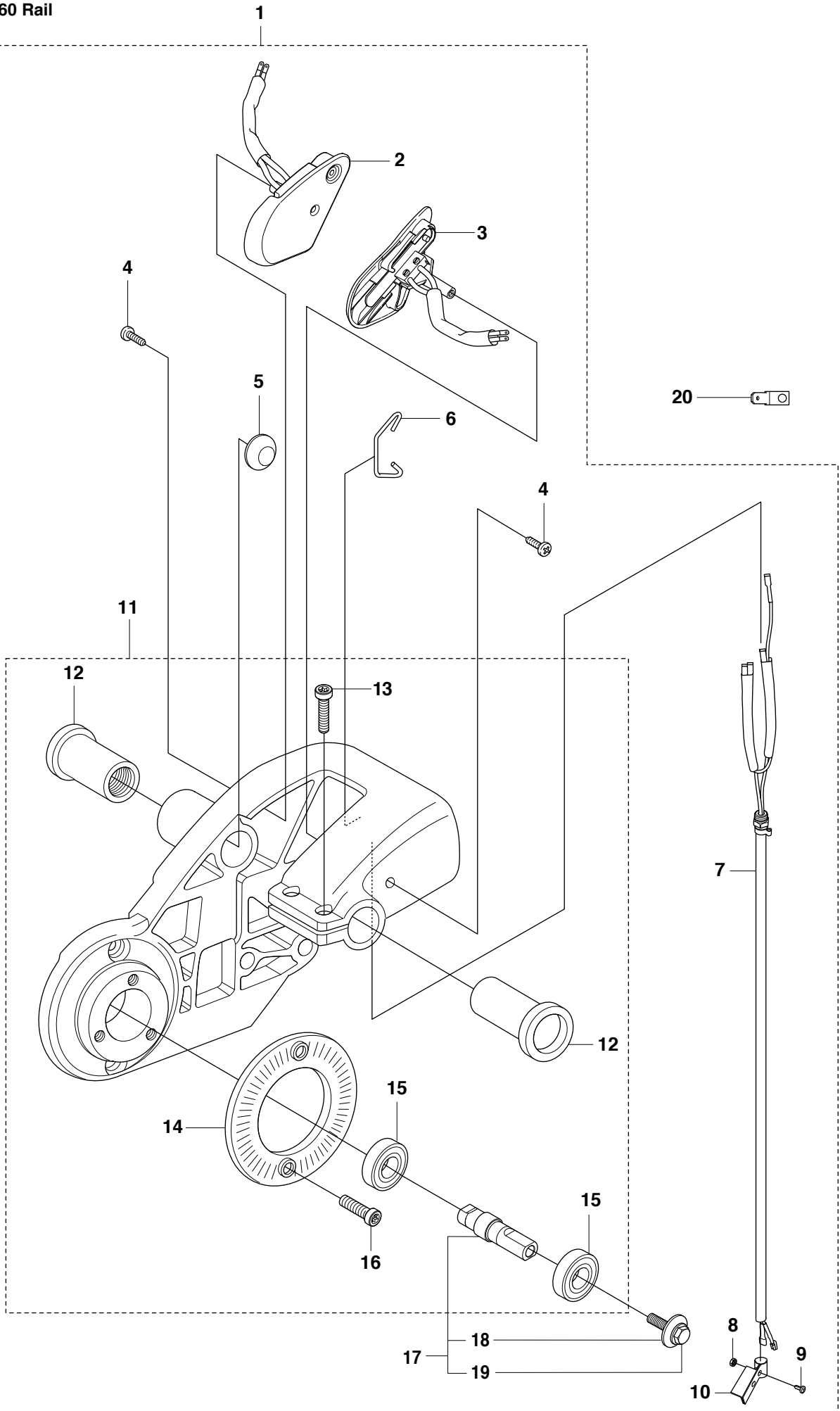
	A (mm)	B (mm)	C (mm)
K1260 14"	205	360	75
K1260 16"	230	360	75



Page Q**K1260, K1260 Rail**

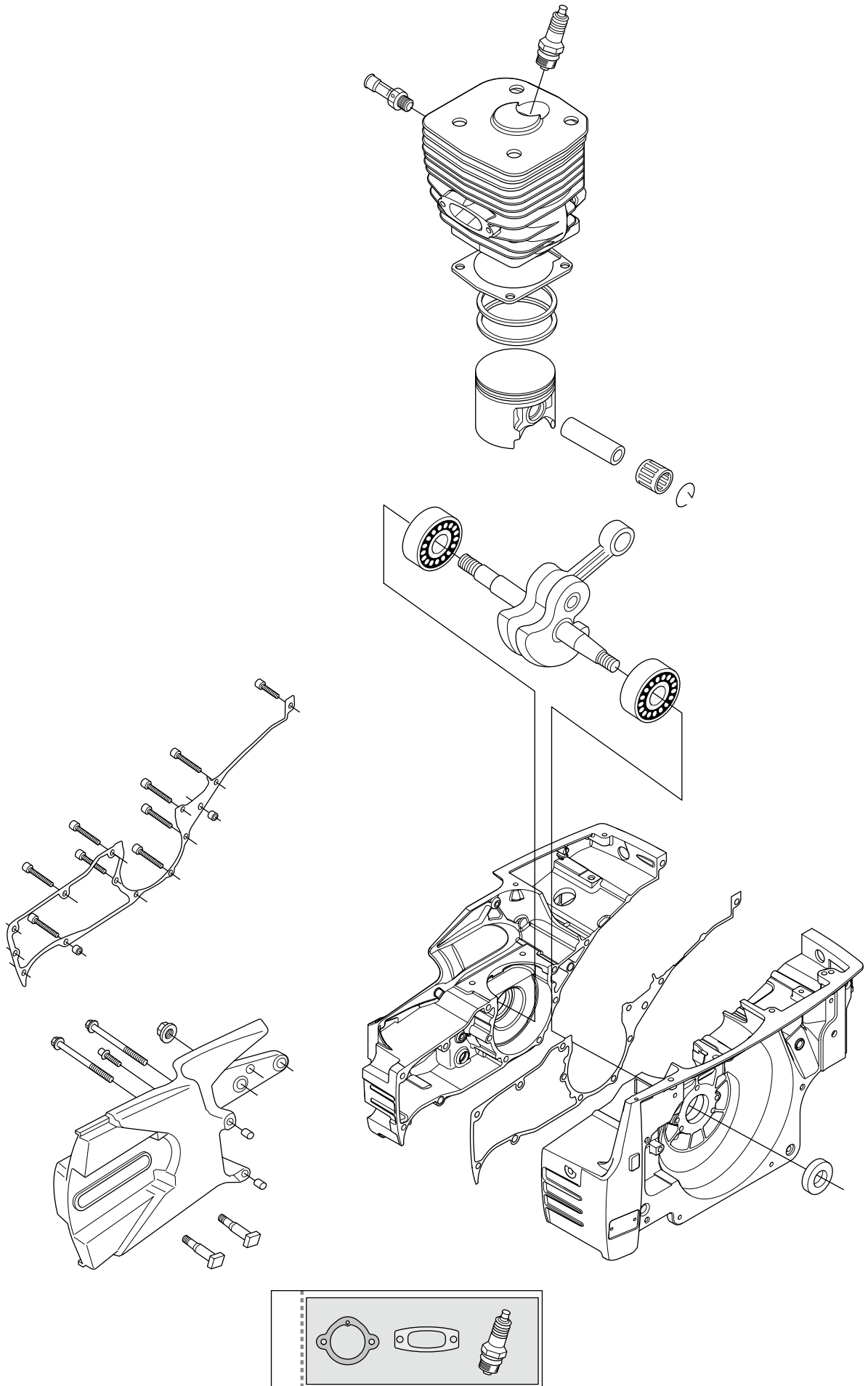
Pos.	Part No.	Description	Quantity	Notes	New Part
1	505 09 55-01	HOSE KIT	1	Incl. 2, 5 - 7	
2	506 29 57-02	NIPPLE	1	Incl. 3, 4	
3	506 29 88-01	FILTER	1		
4	505 10 35-01	O-RING	1		
5	506 49 87-02	HOSE CLAMP	1		
6	506 60 75-01	HOSE	1		
7	506 38 60-12	VALVE ASSY	1	Incl. 8	
8	503 21 54-20	SCREW	2		
9	505 52 42-01	VALVE SPINDLE	1		
10	506 35 27-01	PROTECTIVE SPRING	1		
11	505 09 54-01	HOSE KIT	1		
12	506 49 87-01	HOSE CLAMP	4		
13	506 60 68-06	HOSE	1	620 mm	
14	504 63 46-01	SCREW	2		
15	504 63 44-01	HOUSING	1		
16	504 63 42-01	NIPPLE	2		
17	504 63 45-01	HOUSING	1		
18	503 26 60-03	COUPLER	1	USA, Canada	
18	503 26 60-04	COUPLER	1		

R K1260
K1260 Rail



Page R
K1260 Rail

Pos.	Part No.	Description	Quantity	Notes	New Part
1	576 66 57-02	BEARING HOUSING	1	14" Rail Stop Switch, Incl. 2 - 11	
2	506 35 91-04	STOP SWITCH	1	RH	
3	506 35 91-03	STOP SWITCH	1	LH	
4	729 52 91-71	SCREW	2		
5	506 35 96-01	SPACING BLOCK	1		
6	501 35 43-01	CLIP	1		
7	506 35 90-01	WIRING	1		
8	732 25 12-01	NUT	1		
9	724 12 87-59	SCREW	1		
10	506 35 80-01	BRACKET	1		
11	576 66 57-01	BEARING HOUSING	1	14" Rail, Incl. 12 - 17	
11	576 66 57-03	BEARING HOUSING	1	16" Rail, Incl. 12 - 17	
11	576 66 57-04	BEARING HOUSING	1	16" Rail USA, Incl. 12 - 17	
12	506 22 75-01	SLEEVE	2		
13	503 20 02-16	SCREW	2		
14	506 28 84-01	SCREEN PATTERN FLANG	1		
15	503 25 21-01	BALL BEARING	2		
16	503 21 53-10	SCREW	2		
17	506 29 83-65	SHAFT	1	Incl. 18 - 19	
18	506 13 95-11	WASHER	1		
19	506 13 96-01	COLLAR SCREW	1		
20	535 03 94-01	CONNECTION PLATE	1		



Page S

K1260, K1260 Rail

Pos.	Part No.	Description	Quantity	Notes	New Part
1	576 22 40-01	SHORT BLOCK	1		