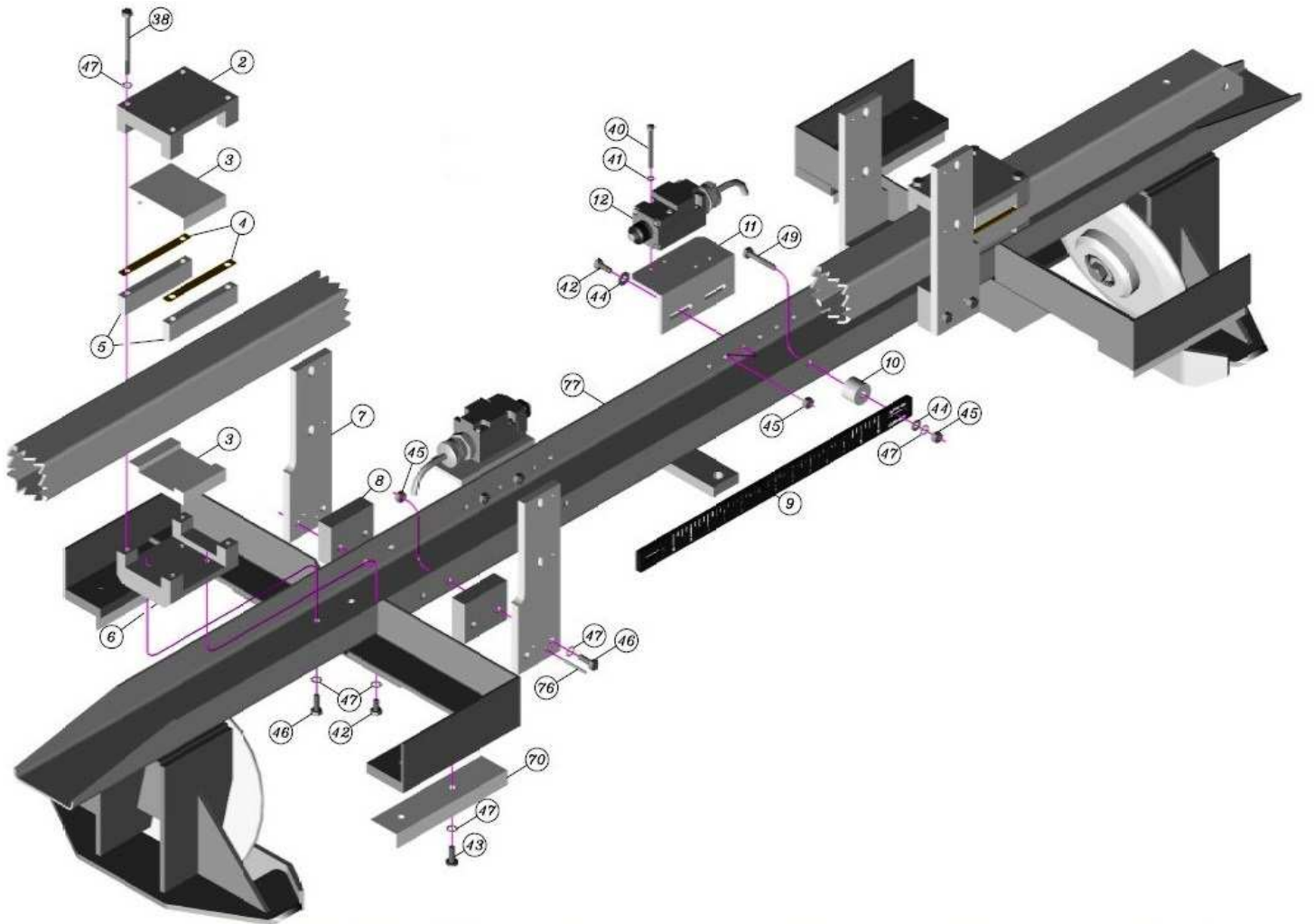
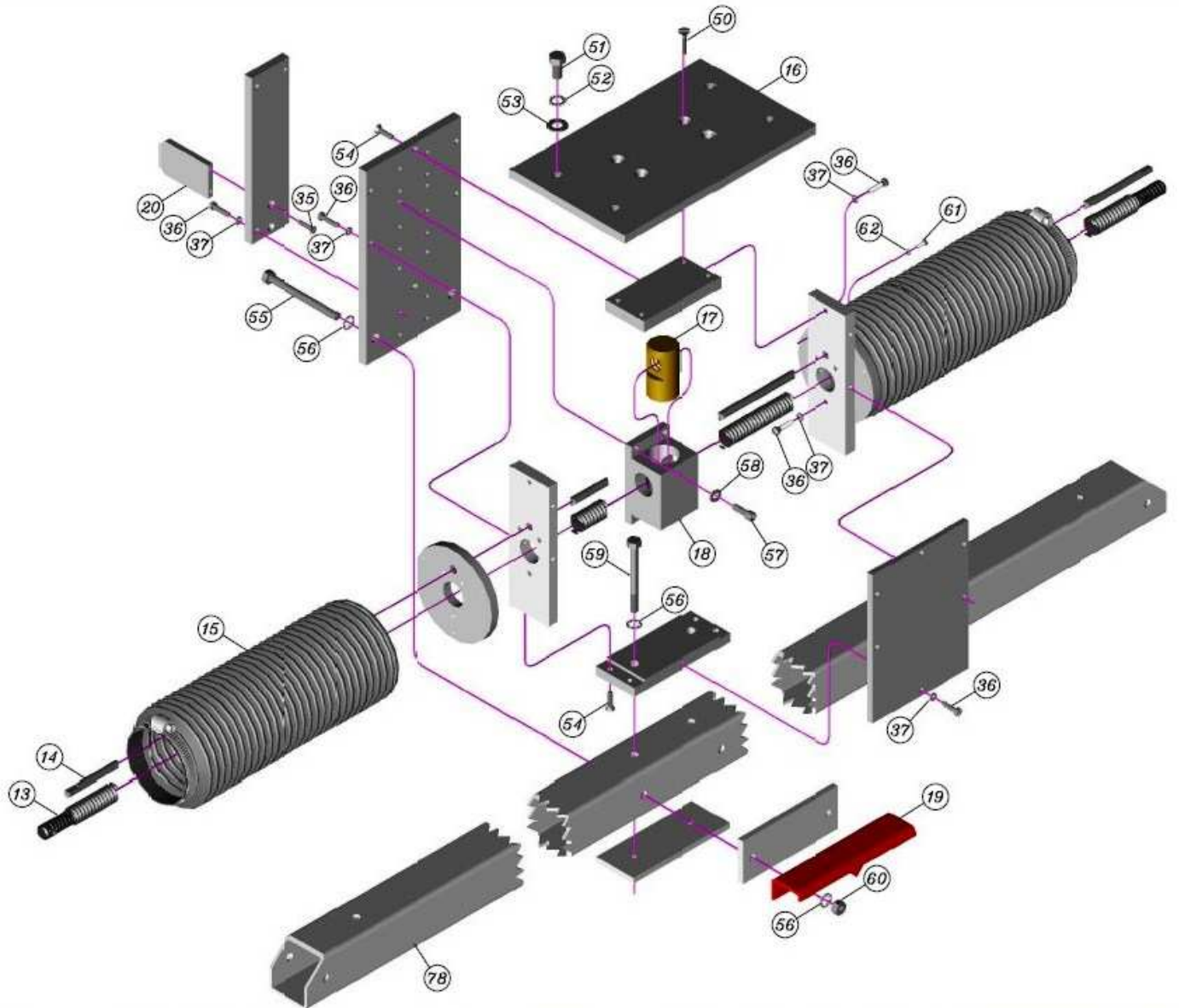


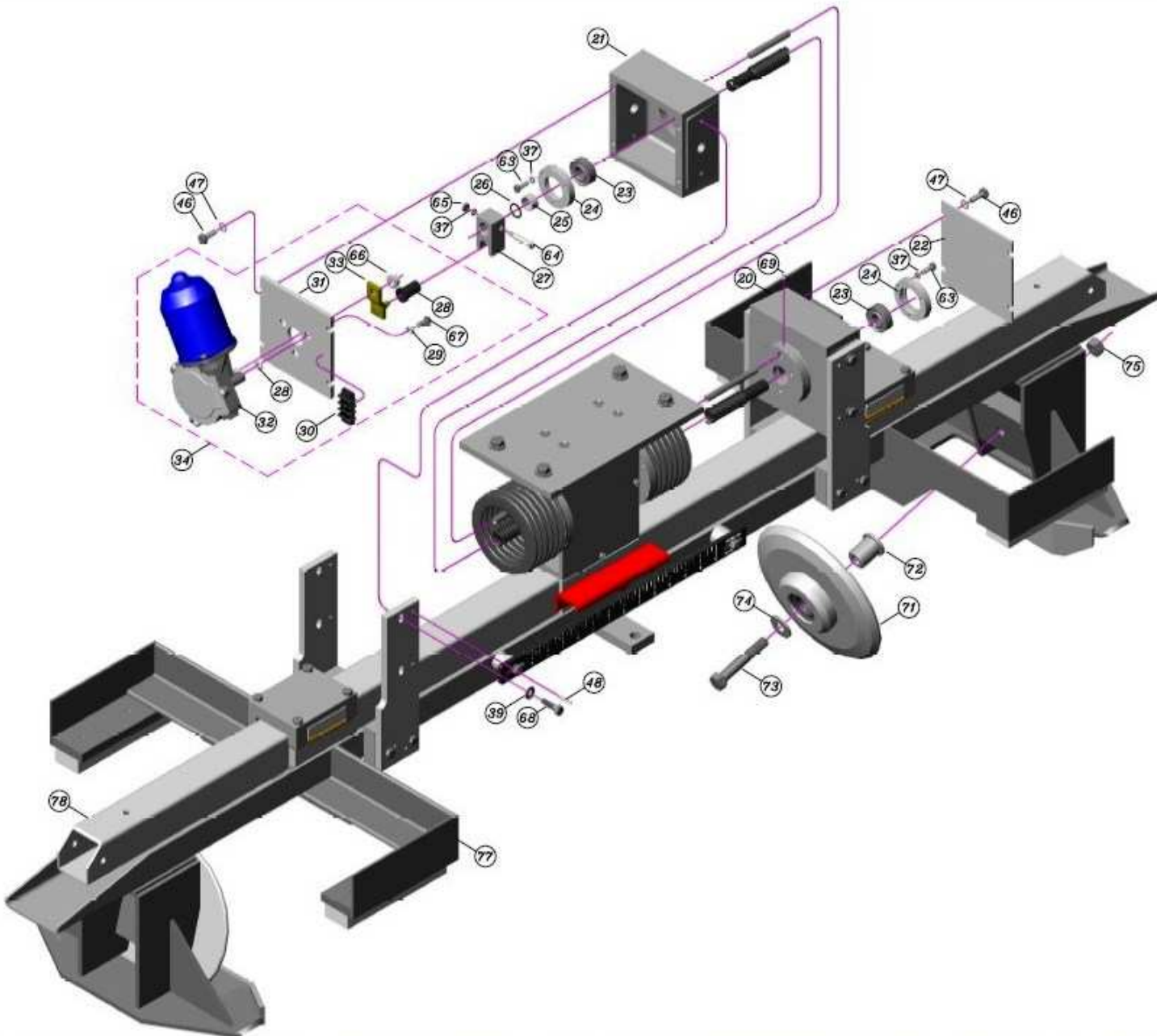
RS4000 Jackson Servo---Part # 40551 (Pg 1 of 3)



RS4000 Jackson Servo---Part # 40551 (Pg 2 of 3)



RS4000 Jackson Servo---Part # 40551 (Pg 3 of 3)



40551 Parts List (Pg 1 of 2)

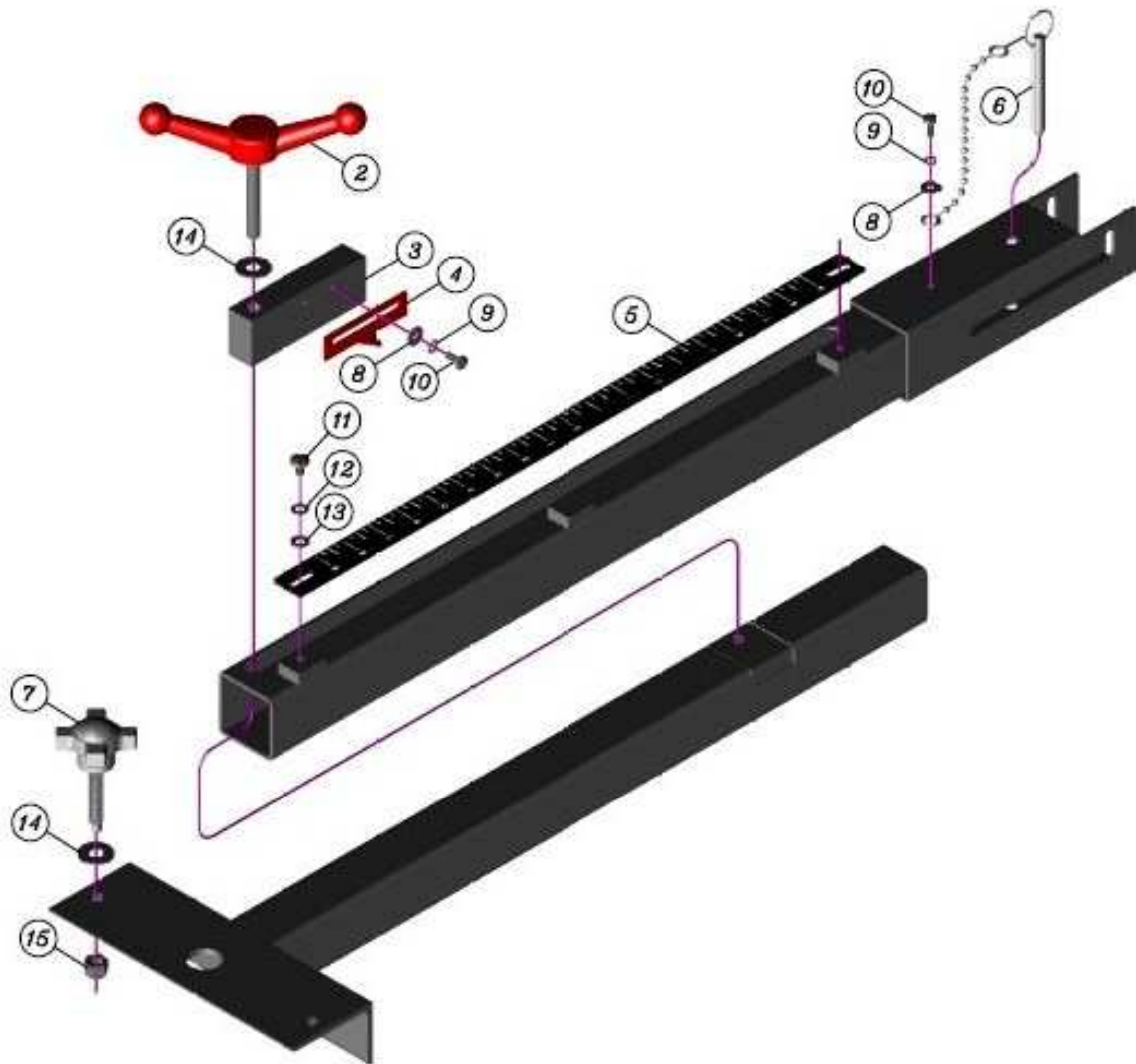
Item No.	Part Number	Description
1	40551	Jackson Servo Assembly
2	40215	Bearing Block
3	40230	Bearing
4	40228	Shim
5	40221	Bearing Spacer
6	40218	Lower Bearing Block
7	40186	Drive Support Plate
8	40217	Support Plate Spacer
9	40084	Standard/Metric Scale
10	40220	Scale Spacer
11	40200	Limit Switch Mounting Bracket
12	40072	Limit Switch
13	40173	Jack Screw*
14	40213	Support Rod
15	40077	Bellows/Flexible Shield w/ Clamps (SET)
16	40191	Sensor Plate
17	40172	Brass Nut*
18	40203	Nut Guide
19	40199	Pointer Bracket
20	40189	Limit Switch Actuator
21	40043	5X5 Cast Housing
22	40197	Cover Plate
23	40078	Jack Screw Bearing
24	40209	Bearing Retainer
25	40205	Bearing Spacer
26	40271	Non-Metallic Washer/Shim
27	40227	Crank Shaft
28	40226	Sleeve
29	40225	Non-Metallic Shoulder Washer
30	40085	Terminal Block
31	40214	Motor Mounting Plate
32	40075	24VDC Servo Motor
33	40076	Motor Arm
34	40281	Servo Motor Assembly w/ Sleeve
35	Ref Only	8-32 x 3/4" Flat Head Screw
36	Ref Only	10-24 x 3/4" Pan Head Slot Screw
37	Ref Only	#10 Split Ring Lock Washer
38	Ref Only	1/4-20 x 3" Hex Head Screw
39	Ref Only	1/4" Flat Washer
40	Ref Only	10-24 x 2" Pan Head Slot Screw
41	Ref Only	#10 External Tooth Lock Washer

40551 Parts List (Pg 2 of 2)

Item No.	Part Number	Description
42	Ref Only	1/4-20 x 1/2" Hex Head Screw
43	Ref Only	1/4-20 x 3/4" Pan Head Slot Screw
44	Ref Only	1/4" Flat Washer
45	Ref Only	1/4-20 Hex Nut
46	Ref Only	1/4-20 x 3/4" Hex Head Screw
47	Ref Only	1/4" Internal Tooth Lock Washer
48	Ref Only	1/8" x 3/4" Spring Pin
49	Ref Only	1/4-20 x 1 1/2" Hex Head Screw
50	Ref Only	1/4-20 x 1" Flat Head Screw
51	Ref Only	3/8-16 x 3/4" Hex Head Screw
52	Ref Only	3/8" External Tooth Lock Washer
53	Ref Only	3/8" Flat Washer
54	Ref Only	10-24 x 3/4" Flat Head Screw
55	Ref Only	5/16-18 x 3 1/2" Hex Head Screw
56	Ref Only	5/16" Internal Tooth Lock Washer
57	Ref Only	1/4-20 x 3/4" Socket Head Screw
58	Ref Only	1/4" Split Ring Lock Washer
59	Ref Only	5/16-18 x 3" Hex Head Screw
60	Ref Only	5/16-18 Hex Nut
61	Ref Only	6-32 x 3/8" Pan Head Slot Screw
62	Ref Only	#6 Split Ring Lock Washer
63	Ref Only	10-32 x 5/8" Hex Head Screw
64	Ref Only	10-24 Thd, 1" Long x 1/4" Dia. Shoulder Bolt
65	Ref Only	10-24 Hex Nut
66	Ref Only	8mm-1.25 Serrated Flange Nut
67	Ref Only	1/4-20 x 5/8" Button Head Screw
68	Ref Only	1/4-20 x 1" Hex Head Screw
69	Ref Only	10-32 x 3/16" Cup Point Set Screw
70	40229	Stabilizer Pad
71	40222	Beveled Wheel Assembly w/ Bearings
72	40224	Wheel Bushing
73	Ref Only	1/2-13 x 3" Hex Head Screw
74	Ref Only	1/2" Flat Washer
75	Ref Only	1/2-13 Hex Nut
76	Ref Only	1/8" x 1 1/4" Spring Pin
77	40219	Support Channel Weldment
78	40223	Slide Bar

***Updated Part-These parts must be replaced as a set in Yellow assemblies.**

RS4000 Jackson Servo Extension---Part # 40231



40231 Parts List

<u>Item No.</u>	<u>Part Number</u>	<u>Description</u>
1	40231	Extension Arm Assembly
2	40266	Knob Assembly
3	40267	Clamp Block
4	40268	Pointer
5	40174	Scale
6	40263	Pin
7	40264	Knob
8	Ref Only	#10 Flat Washer
9	Ref Only	#10 External Tooth Lock Washer
10	Ref Only	10-32 x 1/2" Pan Head Slot Screw
11	Ref Only	1/4-20 x 3/8" Pan Head Slot Screw
12	Ref Only	1/4" External Tooth Lock Washer
13	Ref Only	1/4" Narrow Washer
14	Ref Only	3/8" Flat Washer
15	Ref Only	3/8-16 Lock Nut