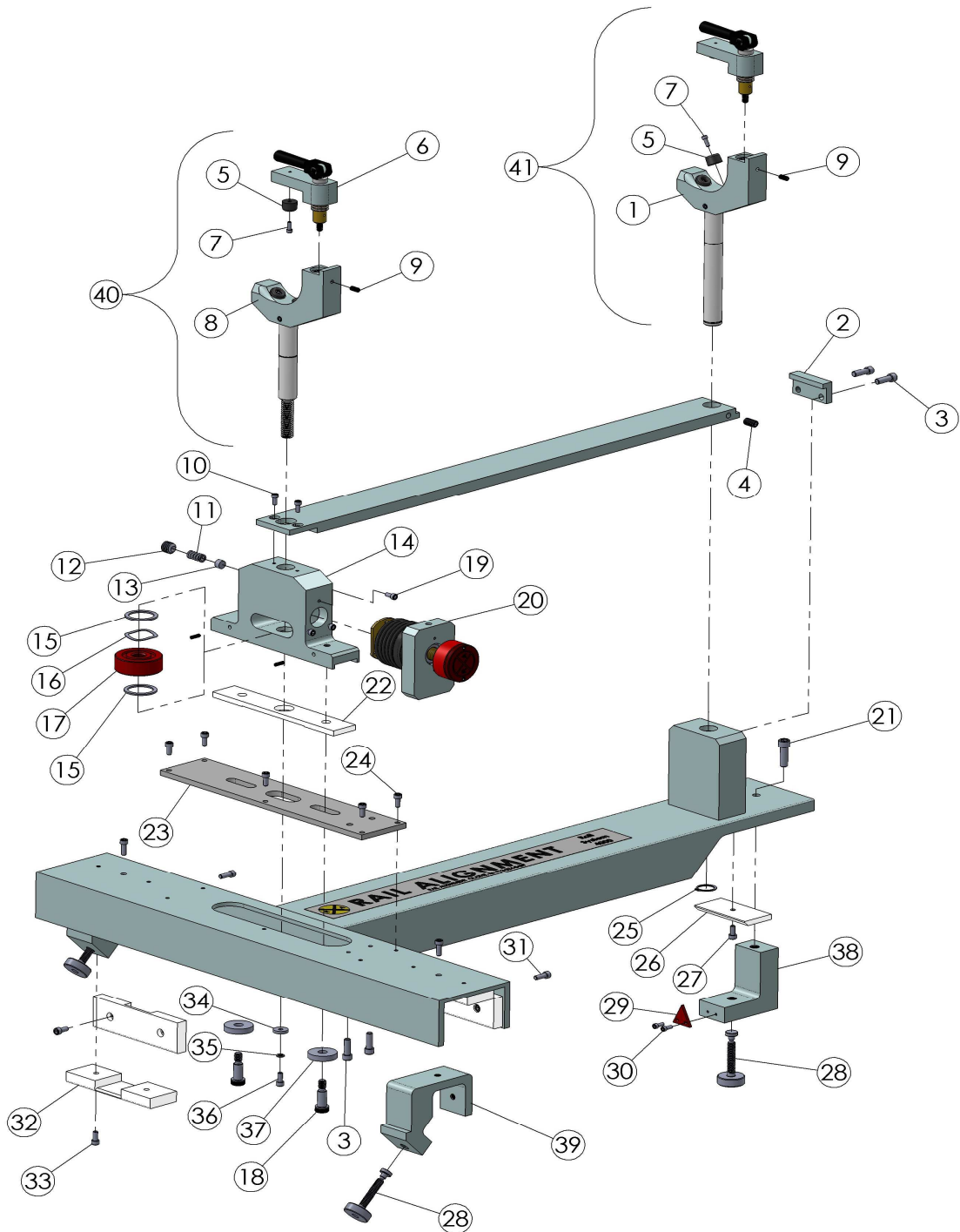


# **RS4000 Tripod/Laser Mount---Part # 40535**



## 40535 Parts List

Item No.	Part Number	Description
1	40105	Front Support**
2	40108	Catch Block*
3	Ref Only	1/4-20 x 3/4" Socket Head Cap Screw
4	Ref Only	5/16-18 x 5/8" Soc Cup Point Set Screw
5	40144	Bumper*
6	40181	Clamp Assembly**
7	Ref Only	6-32 x 5/16" Socket Head Cap Screw
8	40106	Rear Support**
9	Ref Only	10-32 x 1/2" Cone Point Set Screw
10	Ref Only	8-32 x 3/8" Socket Head Cap Screw
11	40141	Spring*
12	Ref Only	1/2-13 x 1/2" Socket Head Set Screw
13	40125	Plug*
14	40098	Rear Support Block*
15	40134	Teflon Washer*
16	40135	Wave Washer*
17	40133	Knob w/ Lock Insert*
18	Ref Only	3/8"-5/16-18 x 3/4" S.H. Shoulder Bolt
19	Ref Only	8-32 x 3/8" Socket Head Cap Screw
20	40259	Line Adjustment Assembly*
21	Ref Only	5/16-18 x 1" Socket Head Cap Screw
22	40096	Spacer/Wear Plate*
23	40092	Wear Plate
24	Ref Only	10-32 x 1/2" Socket Head Cap Screw
25	40132	Snap Ring
26	40097	Spacer/Wear Plate
27	Ref Only	10-32 x 1/4" Socket Head Cap Screw
28	40145	Knob Assembly w/ Swivel Pad
29	40095	Pointer
30	Ref Only	6-32 x 3/8" Socket Head Cap Screw
31	Ref Only	10-32 x 9/16" Socket Head Cap Screw
32	40099	Spacer/Wear Plate
33	Ref Only	10-32 x 1/2" Socket Head Cap Screw
34	40127	Spacer/Washer
35	Ref Only	# 10 Split Lock Washer
36	Ref Only	10-32 x 1/2" Socket Head Cap Screw
37	40128	Spacer/Washer
38	40158	Front Clamp Frame w/ Insert
39	40159	Rear Clamp Frame w/ Inserts
40	40327	Rear Support Assembly Complete
41	40326	Front Support Assembly Complete

\* Will directly replace the original parts used in the Classic Tripod Assembly.

\*\*40105 & 40106 must also include 40181 to repair an Classic Tripod Assembly.