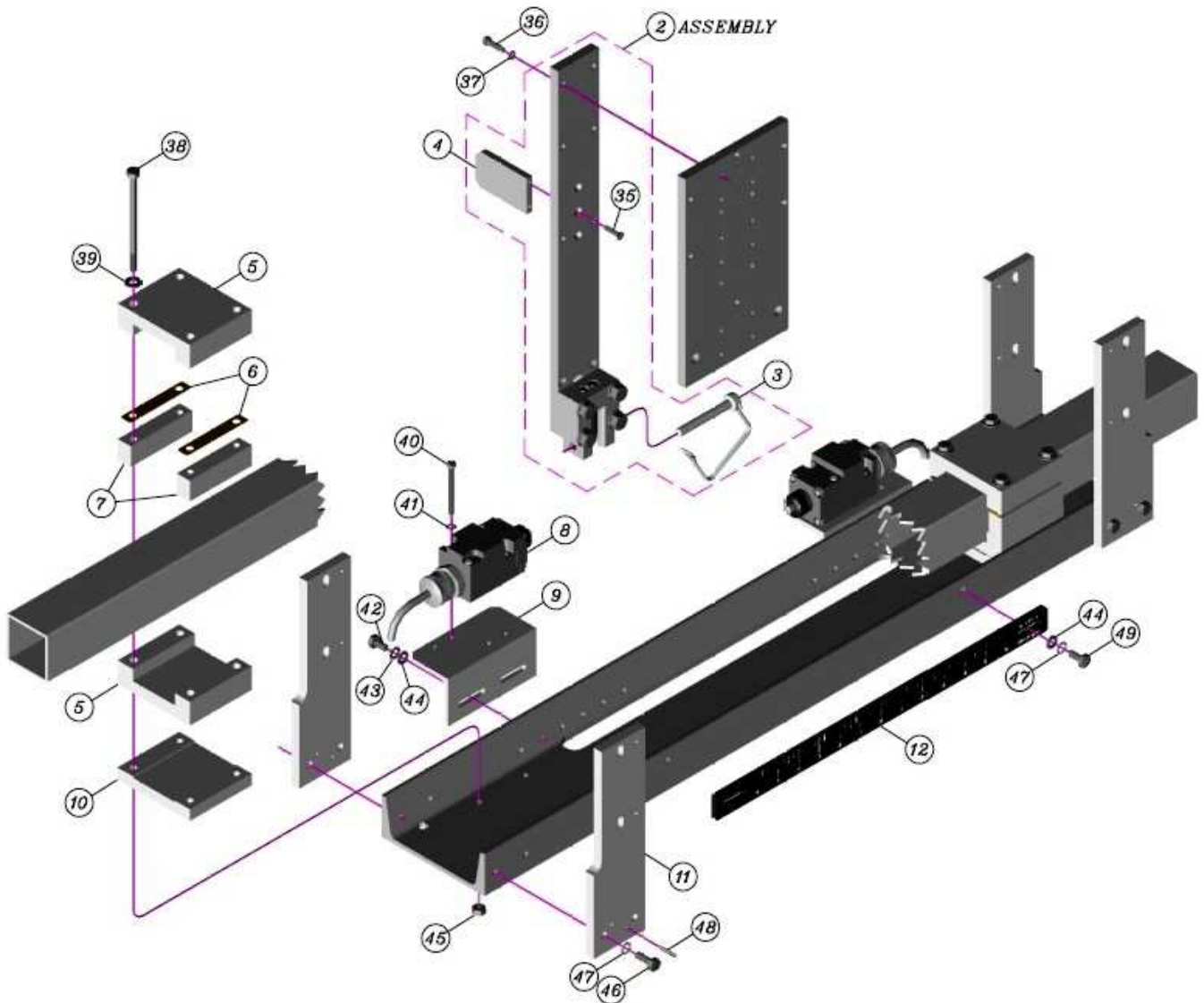


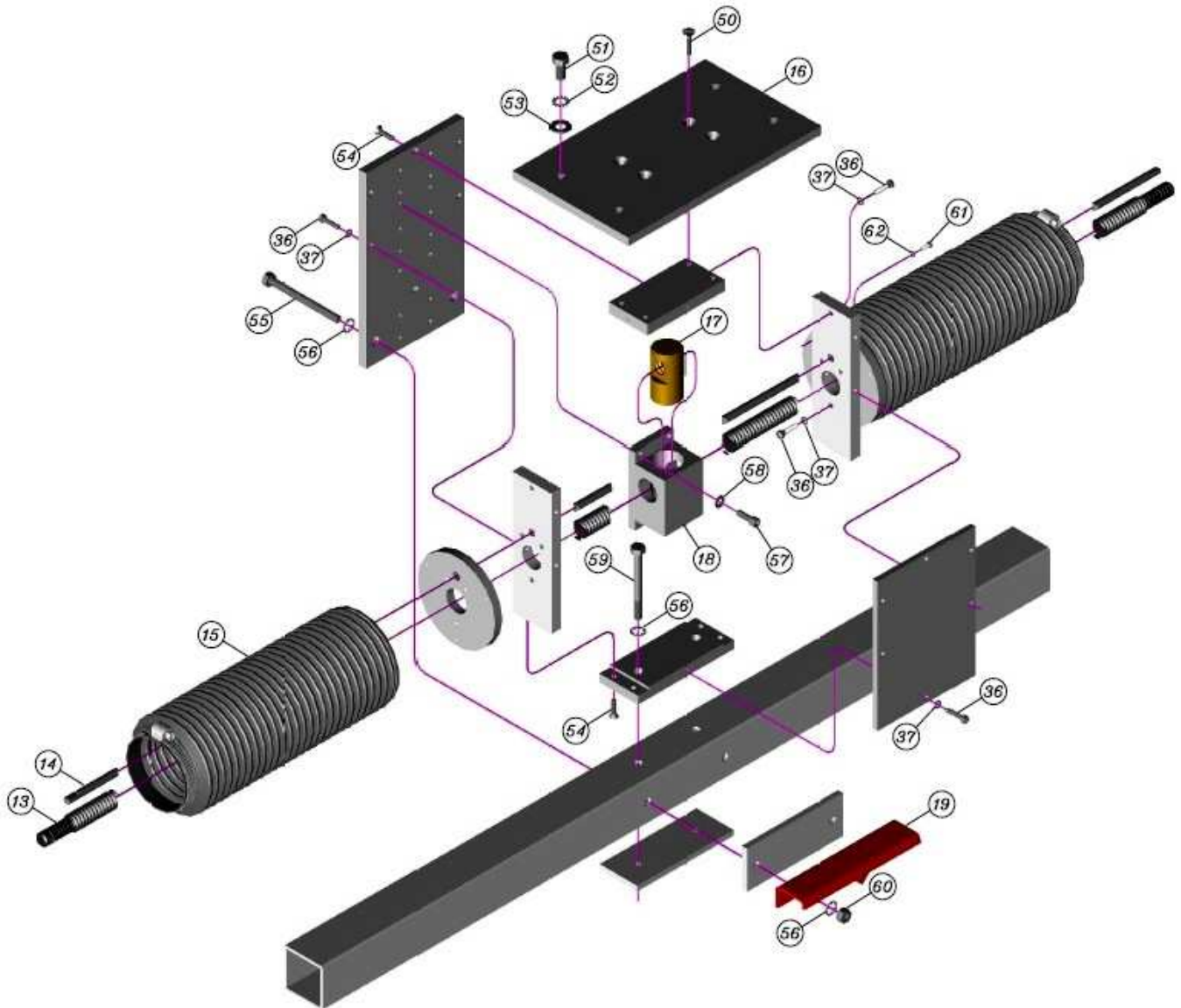
RS4000 Plasser Servo---Part # 40550 & 40553

(Pg 1 of 3)



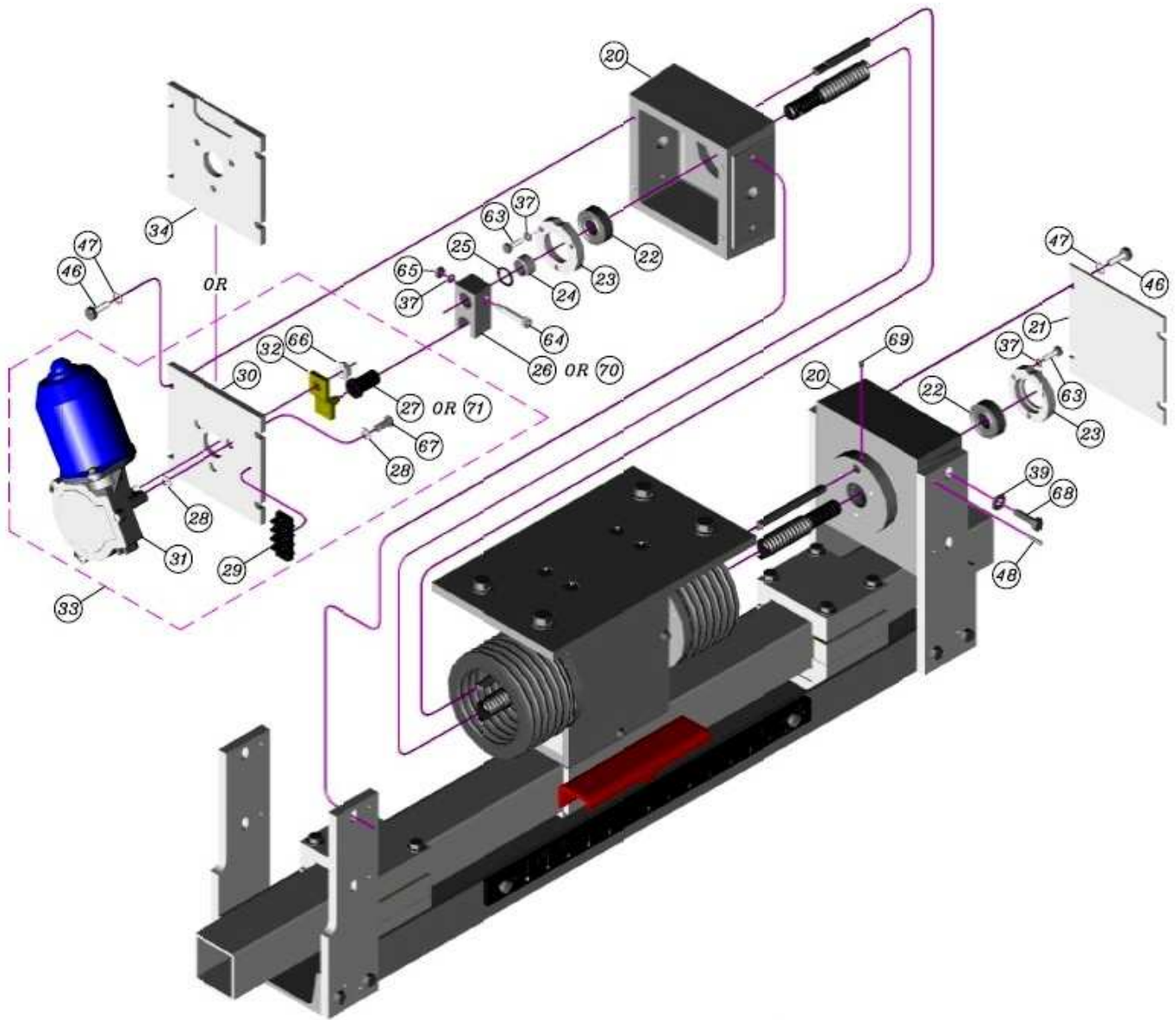
RS4000 Plasser Servo---Part # 40550 & 40553

(Pg 2 of 3)



RS4000 Plasser Servo---Part # 40550 & 40553

(Pg 3 of 3)



40550 & 40553 Parts List (Pg 1 of 2)

Item No.	Part Number	Description
1	40550	Plasser Servo Assembly w/o Motor
1	40553	Plasser Servo Assembly w/ RA Motor
2	40262	Wire Guide Assembly, Complete
3	739903	Hitch Pin
4	40189	Limit Switch Actuator
5	40208	Outer Bearing
6	40212	Shim
7	40204	Bearing Spacer
8	40072	Limit Switch
9	40200	Limit Switch Mounting Bracket
10	40206	Bearing Block
11	40186	Drive Support Plate
12	40370	Universal Standard Metric Scale
13	40173	Jack Screw*
14	40213	Support Rod
15	40077	Bellows/Flexible Shield w/ Clamps (SET)
16	40191	Sensor Plate
17	40172	Brass Nut*
18	40203	Nut Guide
19	40199	Pointer Bracket
20	40043	5X5 Cast Housing
21	40197	Cover Plate
22	40078	Jack Screw Bearing
23	40209	Bearing Retainer
24	40205	Bearing Spacer
25	40271	Non-Metallic Washer/Shim
26	40227	Crank Shaft (For use w/ RA Motor)**
27	40226	Sleeve (For use w/ RA Motor)**
28	40225	Non-Metallic Shoulder Washer
29	40085	Terminal Block
30	40214	Motor Mounting Plate (For use w/ RA Motor)**
31	40075	RA 24VDC Servo Motor**
32	40076	RA Motor Arm**
33	40281	RA Servo Motor Assembly w/ Sleeve
34	40198	Motor Mount Plate (For use w/ Plsr Motor)
35	Ref Only	8-32 x 3/4" Flat Head Screw
36	Ref Only	10-24 x 3/4" Pan Head Slot Screw
37	Ref Only	#10 Split Ring Lock Washer**
38	Ref Only	1/4-20 x 4" Hex Head Screw
39	Ref Only	1/4" Flat Washer
40	Ref Only	10-24 x 2" Pan Head Slot Screw

40550 & 40553 Parts List (Pg 2 of 2)

Item No.	Part Number	Description
41	Ref Only	#10 External Tooth Lock Washer
42	Ref Only	1/4-20 x 1/2" Hex Head Screw
43	Ref Only	1/4" External Tooth Lock Washer
44	Ref Only	1/4" Flat Washer
45	Ref Only	1/4-20 Hex Nut
46	Ref Only	1/4-20 x 3/4" Hex Head Screw
47	Ref Only	1/4" Internal Tooth Lock Washer
48	Ref Only	1/8" x 3/4" Spring Pin
49	Ref Only	1/2-20 x 5/8" Pan Head Slot Screw
50	Ref Only	1/4-20 x 1" Flat Head Screw
51	Ref Only	3/8-16 x 3/4" Hex Head Screw
52	Ref Only	3/8" External Tooth Lock Washer
53	Ref Only	3/8" Flat Washer
54	Ref Only	10-24 x 3/4" Flat Head Screw
55	Ref Only	5/16-18 x 3 1/2" Hex Head Screw
56	Ref Only	5/16" Internal Tooth Lock Washer
57	Ref Only	1/4-20 x 3/4" Socket Head Screw
58	Ref Only	1/4-20 Split Ring Lock Washer
59	Ref Only	5/16-18 x 3" Hex Head Screw
60	Ref Only	5/16-18 Hex Nut
61	Ref Only	6-32 x 3/8" Pan Head Slot Screw
62	Ref Only	#6 Split Ring Lock Washer
63	Ref Only	10-32 x 5/8" Hex Head Screw
64	Ref Only	10-24 Thd, 1" Long x 1/4" Dia. Shoulder Bolt**
65	Ref Only	10-24 Hex Nut**
66	Ref Only	8mm-1.25 Serrated Flange Nut**
67	Ref Only	1/4-20 x 5/8" Button Head Screw**
68	Ref Only	1/4-20 x 1" Hex Head Screw
69	Ref Only	10-32 x 3/16" Cup Point Set Screw
70	40211	Crank Shaft (For use w/ Plsr Motor)
71	40210	Sleeve (For use w/ Plsr Motor)

***Updated Part-These parts must be replaced as a set in Yellow assemblies.**

**** For use with Rail Alignment standard servo motor and its parts only. This part will not work with the optional Plasser-Theurer motor or its parts.**

Available directly from Plasser:

Plasser-Theurer Servo Motor --- Part # EL-T34.00P

Plasser-Theurer Servo Motor Arm --- Part # EL-T34.03-SHORT