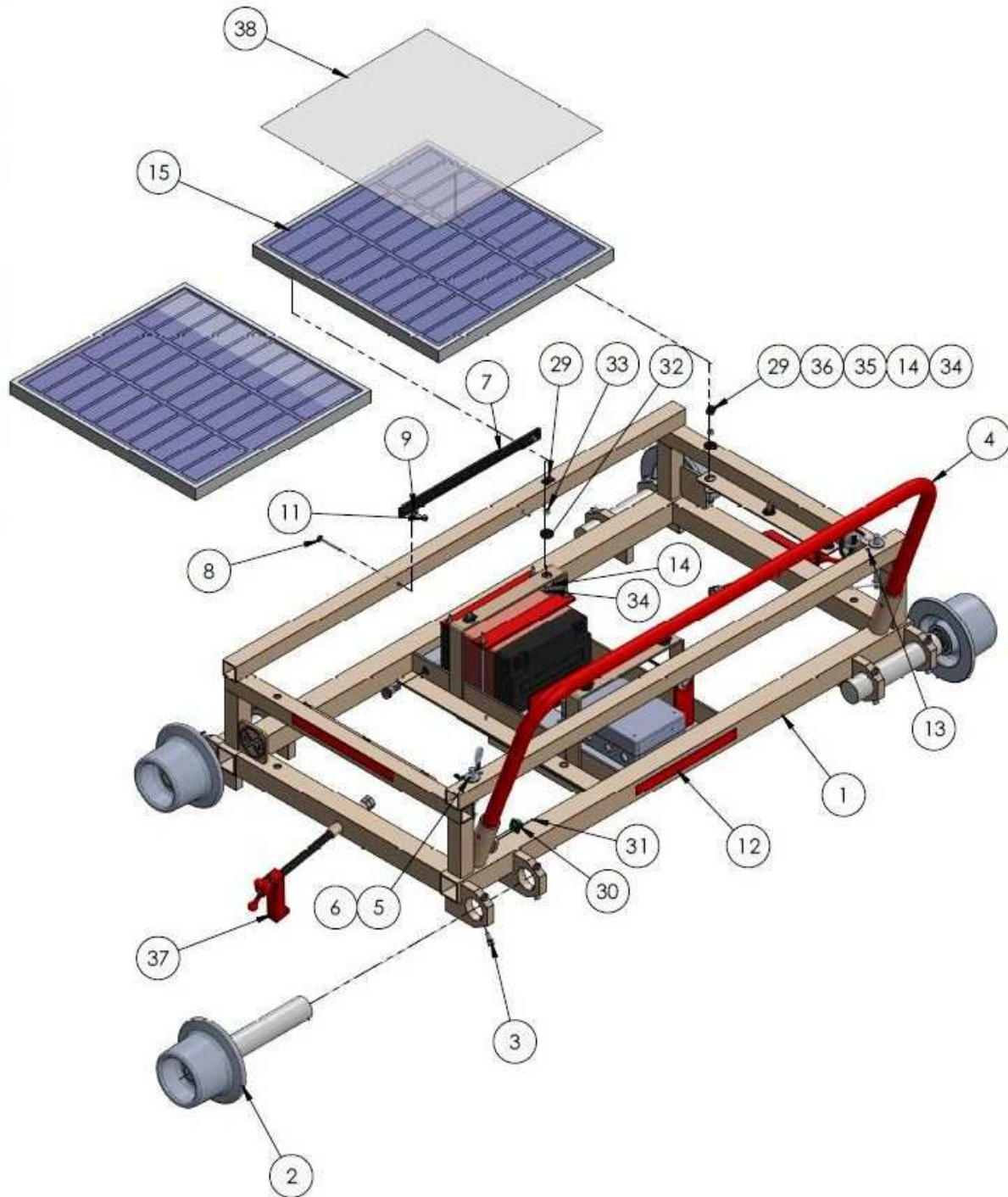


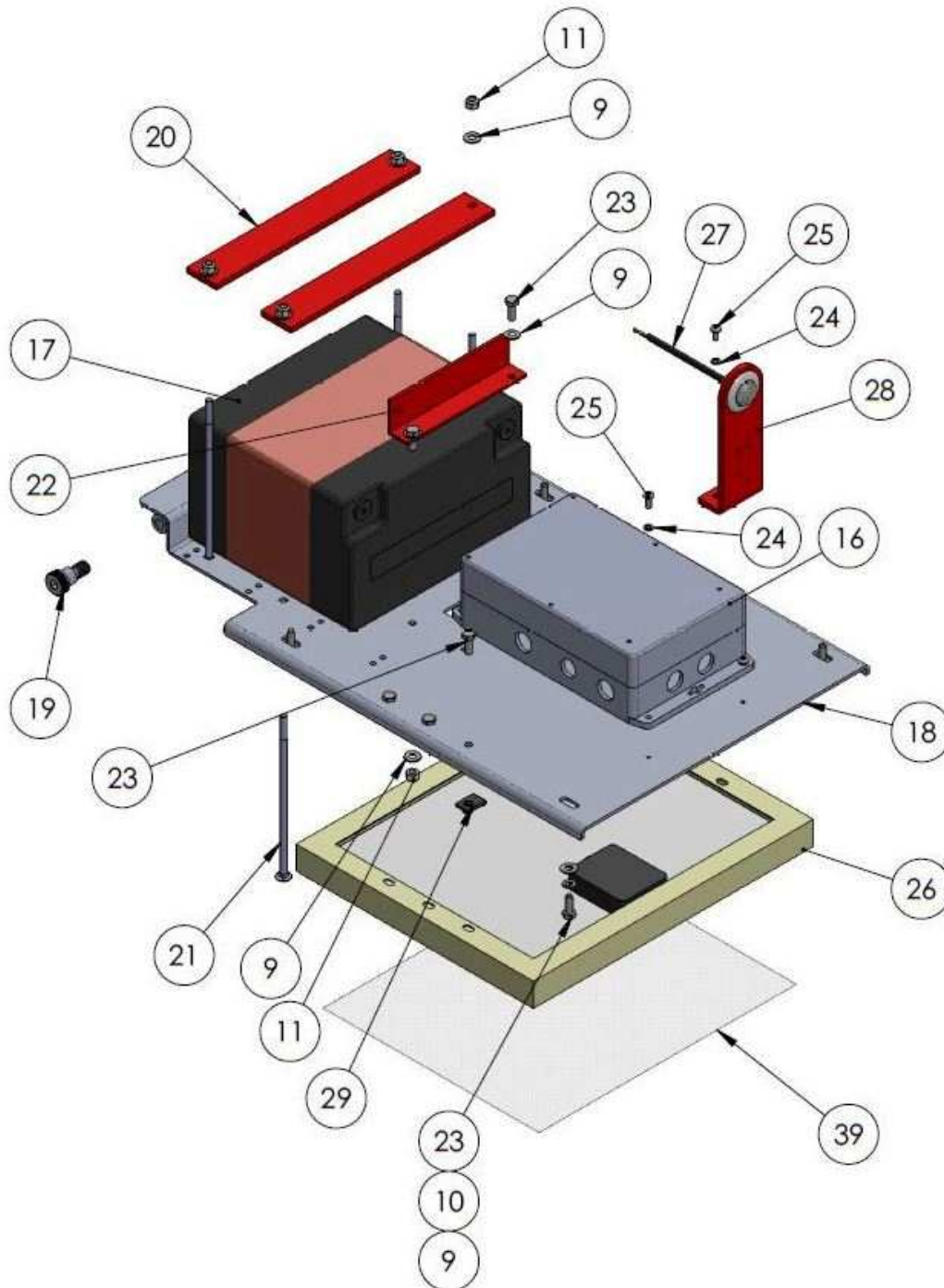
RS4000 56.5" Solar Cart/Buggy---Part # 40546

(Pg 1 of 2)



RS4000 56.5" Solar Cart/Buggy---Part # 40546

(Pg 2 of 2)



40546 Parts List

| Item No. | Part Number | Description |
|----------|---------------|-------------------------------------|
| 1 | Not Available | 56.5" Solar Buggy Frame |
| 2 | 40148 | Wheel/Axel Assembly Complete |
| 3 | Ref Only | 3/8"-16 x 5/8" Socket Head Screw |
| 4 | 40356 | Solar Buggy Handle (Short) |
| 5 | 40384 | Storage Lock |
| 5 Alt | 40279 | Storage Pin (Non-Locking) |
| 6 | Ref Only | Chain |
| 7 | 40370 | Universal Metric/Standard Scale |
| 8 | Ref Only | 1/4"-20 x 2 1/4" Hex Head Bolt |
| 9 | Ref Only | 1/4" Flat Washer |
| 10 | Ref Only | 1/4" Split Lock Washer |
| 11 | Ref Only | 1/4"-20 Hex Nut |
| 12 | 40291 | Reflective Decal |
| 13 | Ref Only | Rivet |
| 14 | Ref Only | 1/4" Fender Washer |
| 15 | 40361 | Large Solar Panel |
| 16 | 40359 | Charge Control Housing |
| 17 | 40357 | 12V 55AH AGM Battery |
| 18 | 40352 | Electronics Mounting Panel |
| 19 | Ref Only | 5/8-1/2-13x3/4 Shoulder Bolt |
| 20 | 40353 | Battery Holddown |
| 21 | Ref Only | 1/4"-20 x 7" Carriage Bolt |
| 22 | 40355 | Battery Retainer |
| 23 | Ref Only | 1/4"-20 x 3/4" Hex Head Bolt |
| 24 | Ref Only | #10 Lock Washer |
| 25 | Ref Only | 10-32 x 1/2 Phillips Panhead |
| 26 | 40362 | Small Solar Panel |
| 27 | 40366 | Safety Light |
| 28 | 40367 | Safety Light Mount |
| 29 | Ref Only | U-Nut, 1/4"-20 |
| 30 | 40385 | Connector Blank |
| 31 | Ref Only | 4-40 x 3/8" Phillips Panhead |
| 32 | 40376 | Grommet |
| 33 | 40377 | Standoff |
| 34 | Ref Only | 1/4"-20 x 1 1/4" Hex Head Bolt |
| 35 | 40389 | Grommet |
| 36 | 40390 | Standoff |
| 37 | 40388 | Clamp Assembly |
| 38 | 40382 | Solar Panel Screen Protector, Large |
| 39 | 40383 | Solar Panel Screen Protector, Small |